

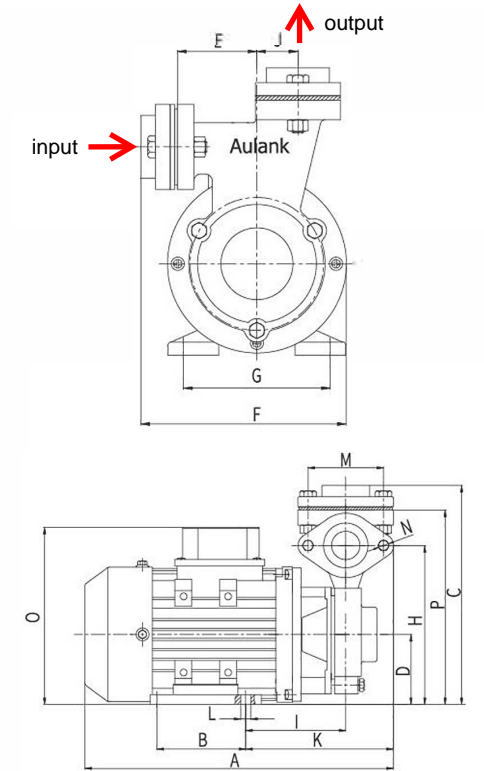
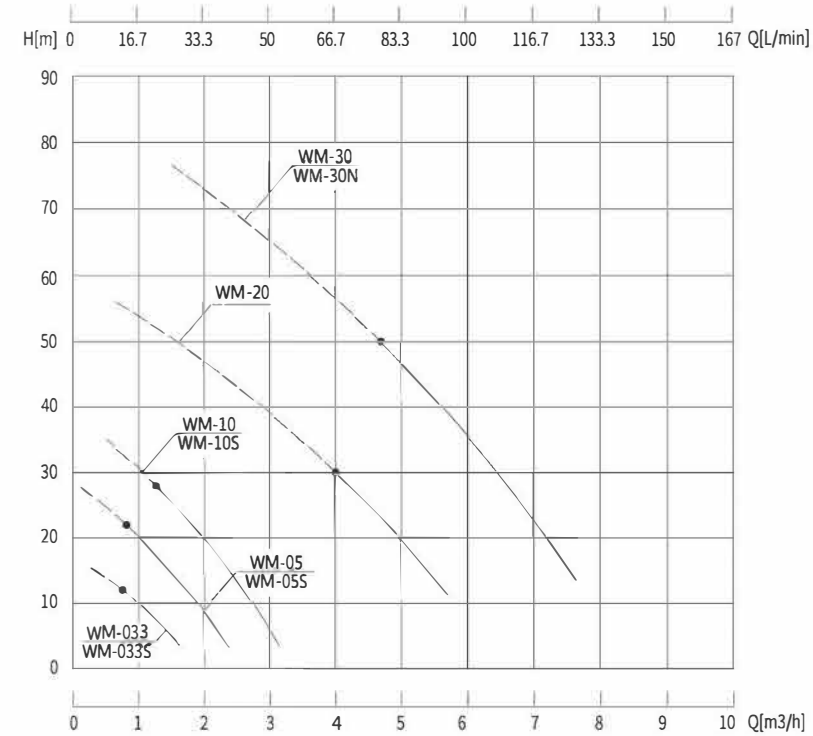
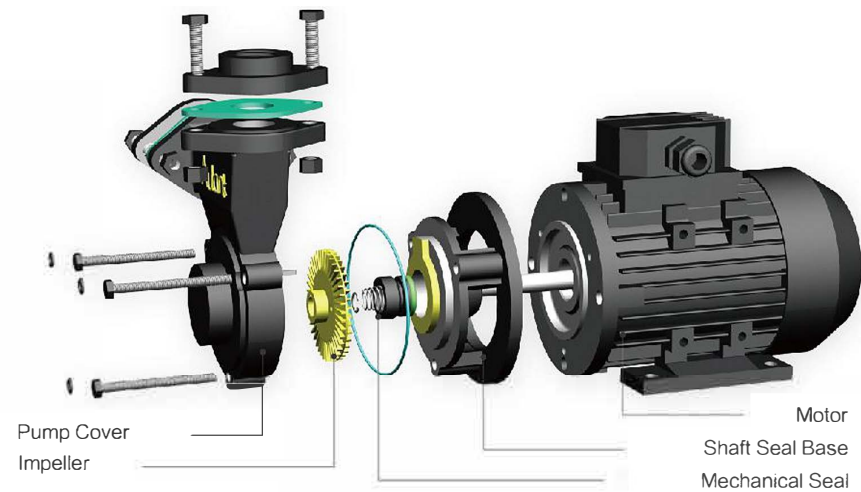
WM

CASTING IRON VORTEX PUMP

▲ WM-30N

Application Area: Mold temperature controlling, Ultrasonic cleaning, Testing instrument, Machine tool cooling, Cylinder heat preservation, Hot and cold switching system.

Circulation Medium: Water, ethylene glycol, alcohol, thermal oil, hydrocarbon solution, silicone oil and other liquids without particles and fibers.



Working Condition

Thermal Conductivity Water	Thermal Conductivity Oil	Ethylene glycol	Working Temperature	Maximum Elevation	Maximum Working Pressure
+5°C~+160°C	+5°C~+200°C	-30°C~+180°C	-5°C~+40°C	1000m	10bar

Technical Parameter

Model	Diameter		Motor				Performance Parameter		Pump Weight (kg)	
	Inlet	Outlet	Power (kW)	(Hp)	Voltage (V)	Frequency (Hz)	Speed (r/min)	Max/Use Head (m)		Max Flow Rate (l/min)
WM-033	DN20	DN20	0.25	0.33	3Ø-380	50	2760	15 / 12	30	9
WM-033S					1Ø-220					
WM-05	DN20	DN20	0.37	0.5	3Ø-380	50	2760	28 / 22	42	9
WM-05S					1Ø-220					
WM-10	DN20	DN20	0.75	1	3Ø-380	50	2760	38 / 28	56	12.5
WM-10S					1Ø-220					
WM-20	DN25	DN25	1.5	2	3Ø-380	50	2760	60 / 30	110	18
WM-30	G1 1/2"	G1 3/4"	2.2	3	3Ø-380	50	2760	85 / 50	140	24
WM-30N	DN40	DN32	2.2	3	3Ø-380	50	2760	85 / 50	140	24

The above characteristic testing is based on the water transferring with the normal speed under 20 degrees. character's error is about 10%. The pump characters change according to the difference of the liquid mediums' proportion and density.

Installation Size

Model	A	B	C	D	E	F	G	H	J	J	K	C	M	N	O	P
WM-033/WM-033S	275	80	197	63	54	144	100	142.5	85	29	128	4-Ø8	68	2-Ø9	160	175
WM-05/WM-05S	275	80	197	63	54	144	100	142.5	85	29	128	4-Ø8	68	2-Ø9	160	175
WM-10/WM-10S	305	90	197	71	66	159	112	127	96	/	139	4-Ø8	68	2-Ø9	175	175
WM-20	350	100	216.5	80	72	172	125	150	120	/	166	4-Ø10	73	4-Ø9	193	192.5
WM-30	400	125	220	90	70	/	140	175	132	40	/	4-Ø10	/	/	210	220
WM-30N	413	125	252.5	90	95	208	140	175	132	40	184.5	4-Ø10	Ø78	4-Ø10	210	232