

**BTKF-I**



**SINGLE STAGE  
TECHNICAL CATALOG**

**BTS**  
ENGINEERING

<https://prom-nasos.pro>

<https://bts.net.ua>

<https://prom-nasos.com.ua>

+38 095 656-37-57

+38 067 360-71-01

+38 063 362-12-31

[info@prom-nasos.pro](mailto:info@prom-nasos.pro)

**Fluid  
Solutions**

## Tasarım

Pompa mili ve motor mili rijit bağlanmıştır. İne line pompaların emiş ve basınç flanşları eşit çaplarda ve aynı eksen üzerindedir.

## Salmastra

Soğutmasız mekanik salmastra, özel elastomerler ya da EP kauçuk.

## Rulmanlar

Gres yağlamalı-bilyalı rulmanlar.

## Pompa Kodu

## Design

Pump shaft and motor shaft are rigidly connected. Suction and pressure flange of the inline pump is on the same diameter and the same axi.

## Shaft seal

Uncooled mechanical seal, special elastomers or EP rubber.

## Bearings

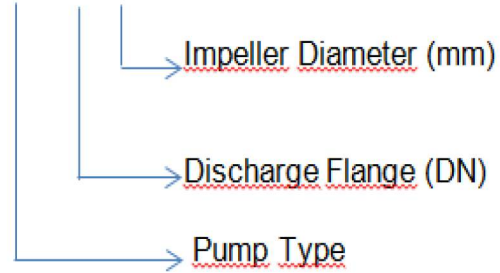
Grease-lubricated deep-groove ball bearings

## Code of Pump

### BTKF-I 65-250

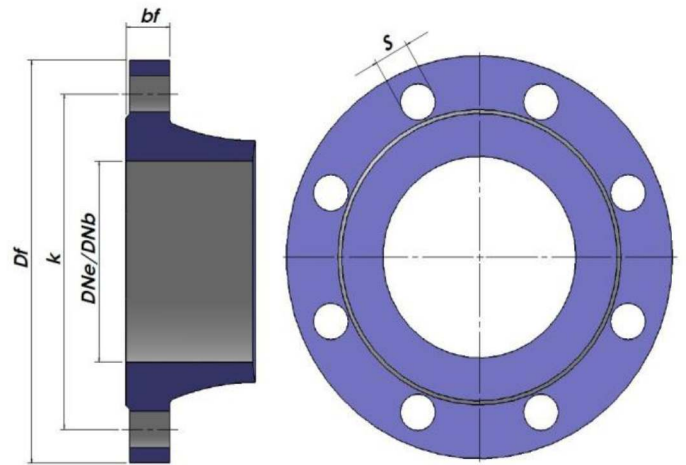


### BTKF-I 65-250



## Flanş Ölçüleri (Flange Dimensions)

POMPA TİPİ (Pump Type)	DNe & DNb (PN 16)				
	Df	k	s	n	bf
40	150	110	18	4	18
50	165	125	18	4	20
65	185	145	18	4	20
80	200	160	18	8	22
100	220	180	18	8	24
125	250	210	18	8	26
150	285	240	23	8	26
200	340	295	23	12	30



"n" Delik Sayısı ( "n" Number of Hole)



### Mekanik Salmastra

#### 1-) MG1

Kullanım Yeri: Su, Hafif Kirli Su

- Basınç : 16 bar (230 PSI),
- Sıcaklık :  
-20°C ... 80°C / \*20° C ... 140°C  
-4°F ... 176°F / \*-4°F ... 284°F

#### a) Dönel Yüzey:

Karbon grafit emdirilmiş antimon

- \*Silisyum Karbür
- \*Tungsten Karbür

#### b) Sabit Yüzey:

Silisyum Karbür

- \*Özel döküm CrMo çelik
- \*Aluminyum oksit
- \*Tungsten

#### c) Elastomer.

NBR

- \*EPDM
- \*FKM
- \*HNBR

#### d) Metal Parça:

CrNiMo çelik,

- \*Hastelloy® C-4
- \*FKM
- \*HNBR

### Mechanical Seal

#### 1-) MG1

Application: Water, Slightly Dirty Water

- Pressure: 16 bar (230 PSI),
- Temperature :  
-20°C ... 80°C / \*20° C ... 140°C  
-4°F ... 176°F / \*-4°F ... 284°F

#### a) Seal Face:

Carbon graphite antimony impregnated

- \*Silicon carbide
- \*Tungsten carbide

#### b) Seat face:

Silicon carbide

- \*Special cast CrMo steel
- \*Aluminyum oxide
- \*Tungsten

#### c) Elastomer:

NBR

- \*EPDM
- \*FKM
- \*HNBR

#### d) Metal Parts:

CrNiMo steel,

- \*Hastelloy® C-4
- \*FKM
- \*HNBR

\*= Opsiyonel (Optional)

## BTKF-I MEKANİK SALMASTRALI (1450 DEV/DAK) (BTKF-I MECHANICAL SEAL)

POMPA TİPİ	MİL nosu	MEKANİK SALMASTRA	AYAR PULU	ALT TABLA	ALT TABLA DELİK ÖLÇÜLERİ
40-125	3	MG1/30	30x45x16	1 nolu	135x3xM8
40-160	3-8	MG1/30	30x45x16	1 nolu	135x3xM8
40-200	8-13	MG1/30	30x45x16	2 nolu	170x3xM10
50-125	3-7	MG1/30	30x45x16	1 nolu	135x3xM8
50-160	3-8-13	MG1/30	30x45x16	1 nolu	135x3xM8
50-200	8-13-17	MG1/30	30x45x16	2 nolu	170x3xM10
50-250	13-17	MG1/30	30x45x16	2b nolu	200x3xM10
65-125	3-7	MG1/30	30x45x16	2 nolu	170x3xM10
65-160	8-13	MG1/30	30x45x16	2 nolu	170x3xM10
65-200	13-17	MG1/30	30x45x16	2b nolu	200x3xM10
65-250	17-23	MG1/30	30x45x16	2b nolu	200x3xM10
65-315	20-26-31	MG1/40	40x55x16	4a nolu	300x4xM10
80-125	3-7-12	MG1/30	30x45x16	2 nolu	170x3xM10
80-160	8-13-17	MG1/30	30x45x16	2 nolu	170x3xM10
80-200	13-17	MG1/30	30x45x16	2a nolu	185x3xM10
80-250	20-26	MG1/40	40x55x16	3 nolu	240x3xM10
80-315	26-31	MG1/40	40x55x16	4a nolu	300x4xM10
100-160	13-17	MG1/30	30x45x16	2b nolu	200x3xM10
100-200	20-26	MG1/40	40x55x16	2b nolu	200x3xM10
100-250	20-26-31	MG1/40	40x55x16	3 nolu	240x3xM10
100-315	26-31-36	MG1/40	40x55x16	4b nolu	350x4xM12
100-400	32-37-41-42	MG1/50	50x75x18	4b nolu	350x4xM12
125-200	20-26	MG1/40	40x55x16	4 nolu	300x3xM10
125-250	26-31	MG1/40	40x55x16	4 nolu	300x3xM10
125-315	31-36-40	MG1/40	40x55x16	4b nolu	350x4xM12
125-400	37-41-42	MG1/50	50x75x18	4b nolu	350x4xM12
150-250	31-36	MG1/40	40x55x16	5 nolu	350x3xM10
150-315	32-37-41-42	MG1/50	50x75x18	5a nolu	425x4xM12
150-400	42-44-45	MG1/50	50x75x18	5a nolu	425x4xM12
200-315	37-41-42	MG1/50	50x75x18	5a nolu	425x4xM12
200-400	42-44-45	MG1/50	50x75x18	5a nolu	425x4xM12

## Salyangoz, Mil ve Çark Genel Bilgiler (Volute, Shaft and Impeller General Information)

### Çark ( Impeller), Salyangoz (Volute)



PARÇA İSMİ (PART NAME)	MALZEME ADI (MATERIAL NAME)	EN-DIN	ASTM
SALYANGOZ (VOLUTE)	Pik Döküm (Cast Iron)	GJL-250 (GG 25)	A 48 Class 40-B
	*Sfero Döküm (*Ductile Cast Iron)	GJS-400-15 (GGG 40)	A 536 Gr. 60-40-18
	*Çelik Döküm (*Cast Steel)	GP240GH (GS-C 25)	A 216 Gr. WCB
	*Bronz Döküm (*Cast Bronze)	G-Cu Sn 10	B 584 C 90700
	*Kromlu Çelik (*Chrome Steel)	X20 Cr13	A 276 Type 420
	*Krom Nikel Çelik (*Chrome Nickel Steel)	X5 Cr Ni 18-10	A 276 Type 304
	*Krom Nikel Çelik (Düşük Karbon) (*Chrome Nickel Steel (Low Carbon))	X2 Cr Ni 19-11	A 276 Type 304L
	*Krom Nikel Molibdenli Çelik (*Chrome Nickel Molybdenum Steel)	X5 Cr Ni Mo 17-12-2	A 276 Type 316
	*Krom Nikel Molibdenli Çelik (Düşük Karbon) (*Chrome Nickel Molybdenum Steel (Low Carbon))	X2 Cr Ni Mo 17-12-2	A 276 Type 316L

### Mil (Shaft)

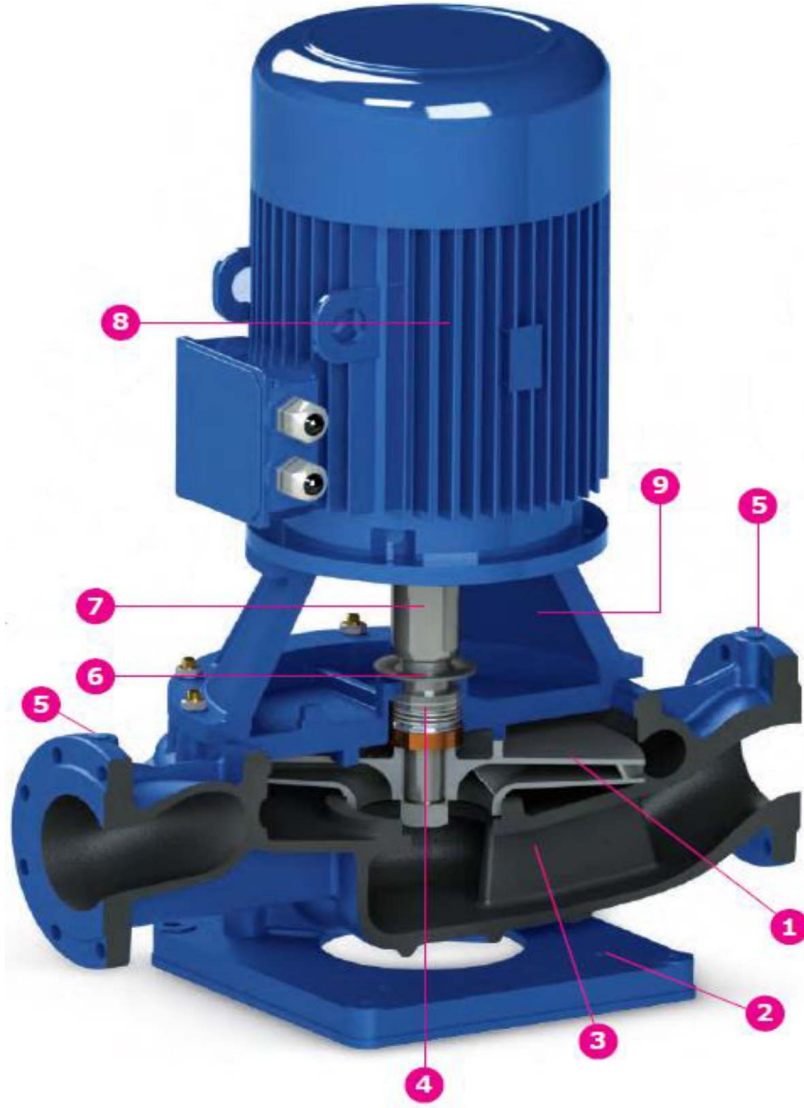


PARÇA İSMİ (PART NAME)	MALZEME ADI (MATERIAL NAME)	EN-DIN	ASTM
MİL (SHAFT)	Kromlu Çelik (Chrome Steel)	X20 Cr13	A 276 Type 420
	*Karbonlu Çelik (*Carbon Steel)	C 45	A 29/108/576 1045
	*Krom Nikel Çelik (*Chrome Nickel Steel)	X5 Cr Ni 18-10	A 276 Type 304
	*Krom Nikel Çelik (Düşük Karbon) (*Chrome Nickel Steel (Low Carbon))	X2 Cr Ni 19-11	A 276 Type 304L
	*Krom Nikel Molibdenli Çelik (*Chrome Nickel Molybdenum Steel)	X5 Cr Ni Mo 17-12-2	A 276 Type 316
	*Krom Nikel Molibdenli Çelik (Düşük Karbon) (*Chrome Nickel Molybdenum Steel (Low Carbon))	X2 Cr Ni Mo 17-12-2	A 276 Type 316L
	*Dubleks (Östenitik-Ferritik) Çelik (*Duplex (Austenitic-Ferritic) Steel)	X2 Cr Ni Mo N 22-5-3	A 276 (32205)

\*= Opsiyonel (Optional)

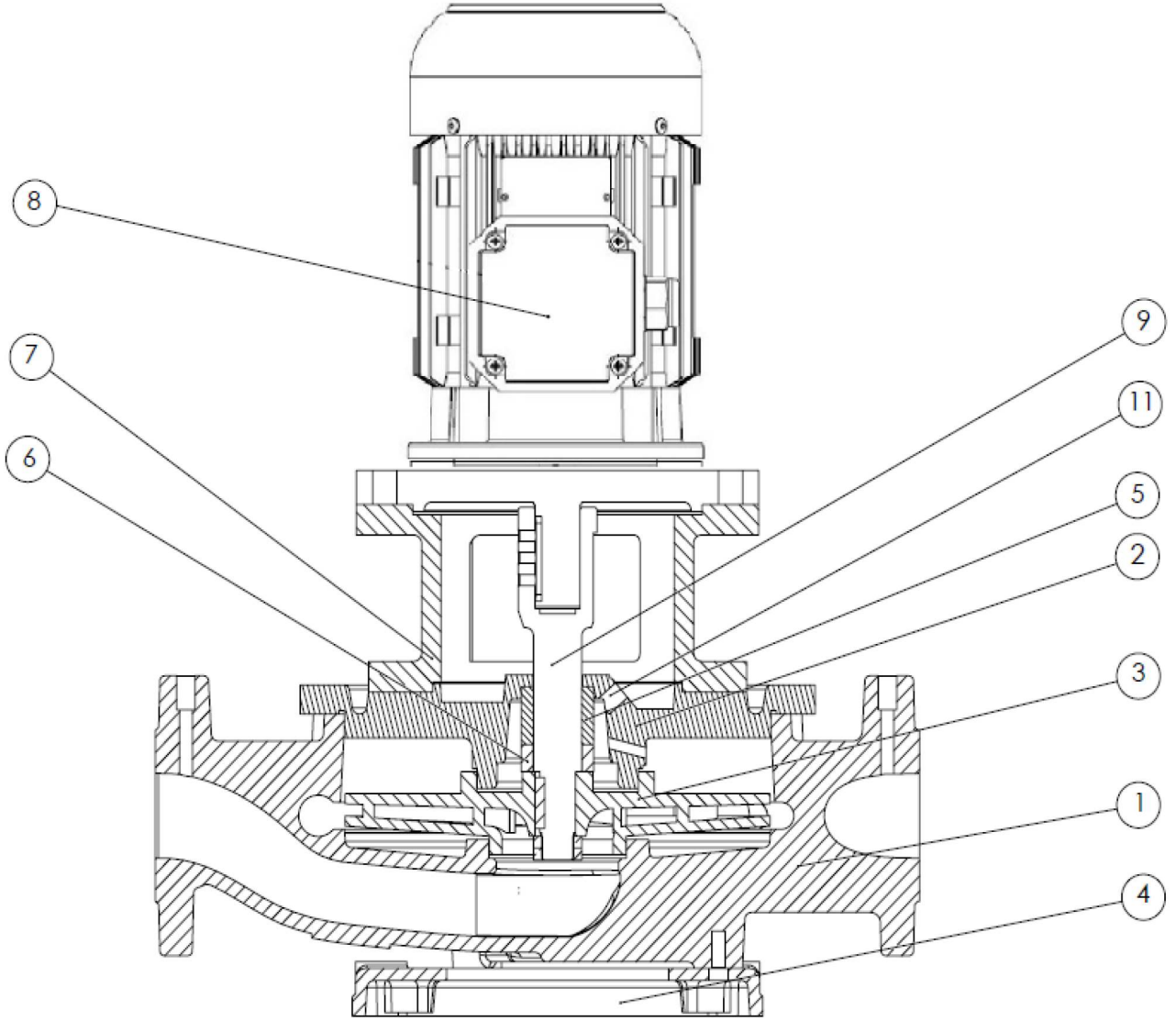
## GENEL YAPISI (GENERAL STRUCTURE)

### BTKF-I SERİSİ POMPANIN GENEL YAPISI (BTKF-I SERIES GENERAL STRUCTURE OF THE PUMP)



Parça No (Part No)	Parça İsimleri (Part Name)
1	Çark (Impeler)
2	Alt Tabla (Support Stand)
3	Salyangoz (Volute)
4	Mekanik Salmastra (mechanic seal)
5	Emme ve Basma Flanşı(Presure Tapping On)
6	Su Sıçratma Muhavazası (Water Splash Guard)
7	Mil (Shaft)
8	Motor (Motor)
9	Ara Parça(Motor Connection Part)

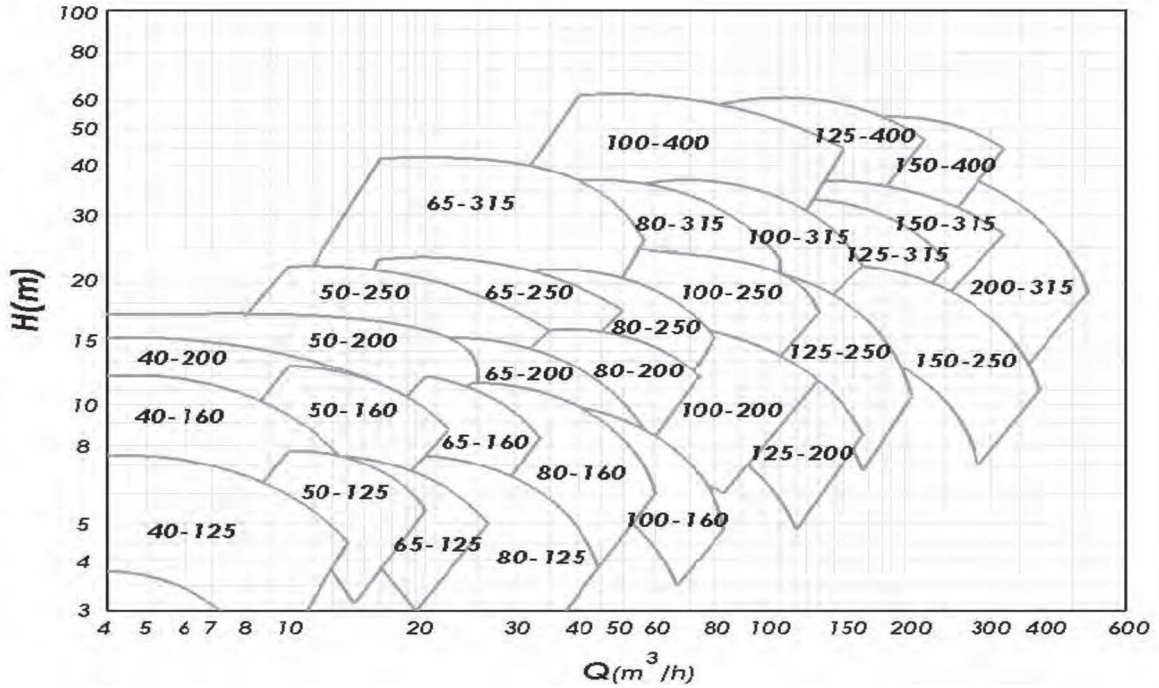
## HAT TİPİ SİRKÜLASYON POMPA KESİT GÖRÜNÜM (CROSS-SECTIONAL VIEW OF IN-LINE CIRCULATION PUMP)



Parça No (Part No)	Parça İsimleri (Part Name)
1	Salyangoz (Volute)
2	Salmastra Kutusu (Stuffing Box)
3	Çark (Impeller)
4	Alt Tabla (Support Stand)
5	Mekanik Salmastra (Mechanical Seal)
6	Mekanik Salmastra Ayar Burcu (Mec. Seal Front Ring)
7	Ara Parça (Motor Connection Part)
8	Motor (Motor)
9	Mil (Shaft)
10	Somun (plug)
11	Hava Purjörü ( Air Vent)

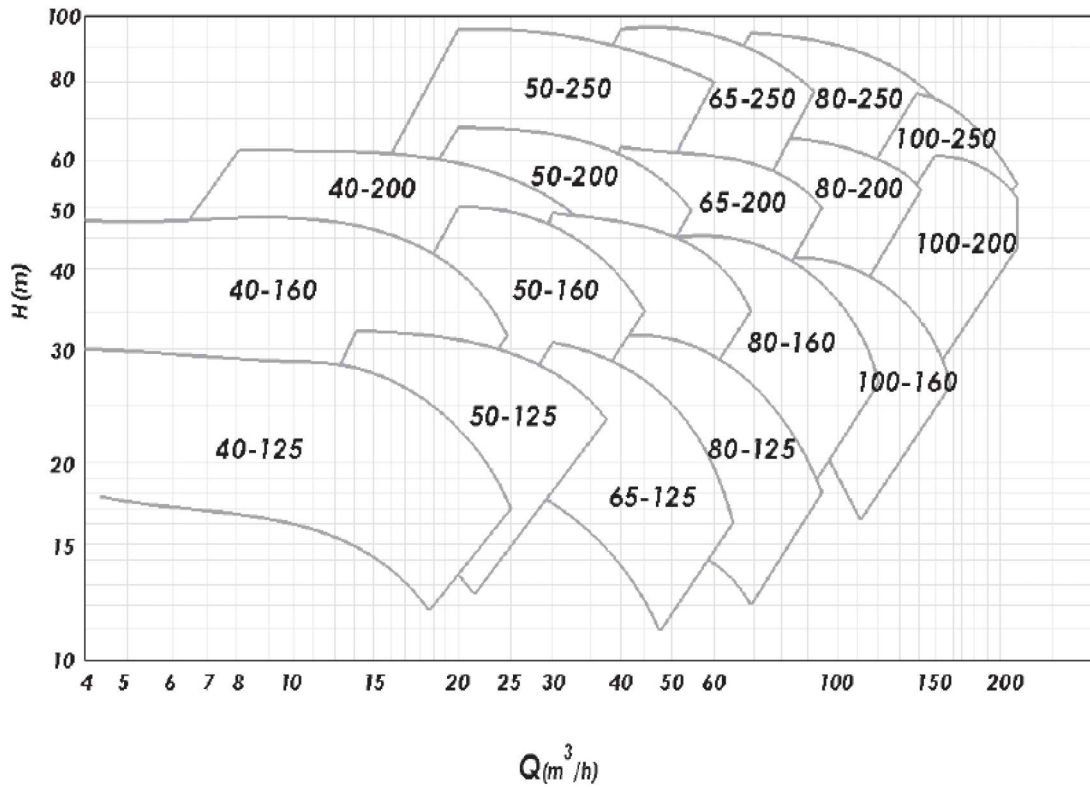
**PERFORMANS ARALIĞI (PERFORMANCE RANGE)**

**BTKF SERİSİ 1450 D/D PERFORMANS TABLOSU**  
(BTKF SERIES 1450 RPM PERFORMANCE TABLE)



**BTKF Serisi 2900 D/D Performans Tablosu**

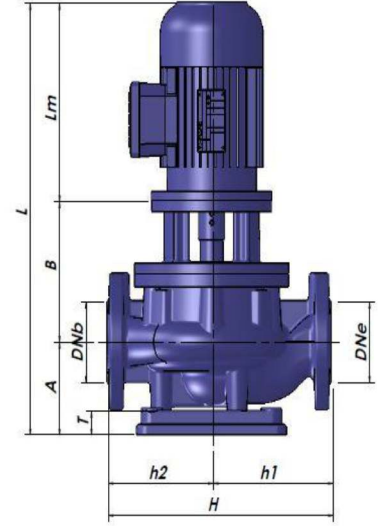
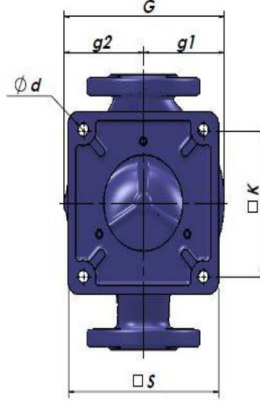
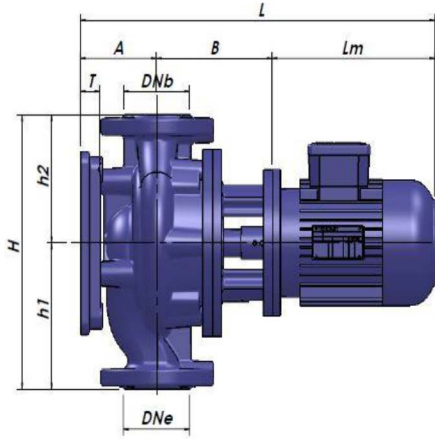
**(BTKF-I Series 2900 RPM Performance Table)**





## GENEL ÖLÇÜLER (GENERAL DIMENSIONS)

### BTKF SERİSİ 1450 ; 2900 D/D PERFORMANS DEĞERLERİ (BTKF SERIES 1450 ; 2900 RPM PERFORMANCE VALUES)



#### 1450 dev/dak

POMPA TİPİ (PUMP TYPE)	MOTOR (ENGINE)		DNe/DNb mm	ÖLÇÜLER (mm) (DIMENSIONS)														ALT TABLA (SUPPORT STAND)	AĞIRLIK (kg) (WEIGHT)
	kw	IEC		A	B	Lm	L	T	H	h1	h2	G	g1	g2	□S	□K	Ød		
40-125	0,37	71M	40	102	154	223	479	26	300	160	140	208	108	100	200	160	14	T1	42
40-160	0,37	71M	40	103	150	223	476	26	340	180	160	236	122	114	200	160	14	T1	48
	0,55	80M		103	185	244	532												52
	0,75	80M		103	185	244	532												53
40-200	0,55	80M	40	108	185	244	537	28	380	200	180	275	140	135	255	220	14	T2	58
	0,75	80M		108	185	244	537												59
	1,1	90S		108	185	267	560												62
50-125	0,37	71M	50	116	154	223	493	26	300	160	140	212	110	102	200	160	14	T1	43
	0,55	80M		116	164	244	524												44
50-160	0,37	71M	50	115	150	223	488	26	340	180	160	238	124	114	200	160	14	T1	47
	0,55	80M		115	185	244	544												51
	0,75	80M		115	185	244	544												52
	1,1	90S		115	185	267	567												55
50-200	0,75	80M	50	118	185	244	547	28	425	225	200	280	145	135	255	220	14	T2	63
	1,1	90S		118	185	267	570												65
	1,5	90L		118	185	267	570												65
	2,2	100L		118	185	292	595												67
50-250	1,5	90L	50	118	184	267	569	28	475	250	225	342	175	167	255	220	14	T2	81
	2,2	100L		118	184	292	594												90
	3	100L		118	184	292	594												93
65-125	0,37	71M	65	138	154	223	515	28	340	180	160	222	120	102	255	220	14	T2	52
	0,55	80M		138	164	244	546												56
	0,75	80M		138	164	244	546												57
65-160	0,75	80M	65	138	185	244	567	28	380	200	180	252	136	116	255	220	14	T2	61
	1,1	90S		138	185	267	590												62
	1,5	90L		138	185	267	590												64
65-200	1,1	90S	65	140	186	267	593	28	475	250	225	315	162	150	255	220	14	T2	77
	1,5	90L		140	186	267	593												82
	2,2	100L		140	186	292	618												88
	3	100L		140	186	292	618												88
65-250	2,2	100L	65	138	185	292	615	28	475	250	225	343	177	166	255	220	14	T2	96
	3	100L		138	185	292	615												99
	4	112M		138	185	336	659												105
	5,5	132S		138	198	396	732												115

## GENEL ÖLÇÜLER (GENERAL DIMENSIONS)

### 1450 DEV / DAK

POMPA TİPİ (PUMP TYPE)	MOTOR (ENGINE)		DNe/DNb mm	ÖLÇÜLER (mm) (DIMENSIONS)														ALT TABLA (SUPPORT STAND)	AĞIRLIK (kg) (WEIGHT)
	kw	IEC		A	B	Lm	L	T	H	h1	h2	G	g1	g2	□S	□K	ød		
65-315	3	100L	65	170	193	292	655	40	560	280	280	418	216	202	395	350	18	T4	132
	4	112M		170	193	336	699												139
	5,5	132S		170	206	396	772												152
	7,5	132M		170	206	396	772												173
	11	160M		170	246	476	892												197
80-125	0,37	71M	80	158	154	223	535	28	380	200	180	252	138	114	255	220	14	T2	60
	0,55	80M		158	164	244	566												63
	0,75	80M		158	164	244	566												64
	1,1	90S		158	164	267	589												67
80-160	0,75	80M	80	158	185	244	587	28	425	225	200	280	152	128	255	220	14	T2	70
	1,1	90S		158	185	267	610												72
	1,5	90L		158	185	267	610												74
	2,2	100L		158	185	292	635												81
80-200	1,5	90L	80	158	185	267	610	28	475	250	225	315	170	145	255	220	14	T2	81
	2,2	100L		158	185	292	635												92
	3	100L		158	185	292	635												95
	4	112M		158	185	336	679												102
80-250	2,2	100L	80	178	192	292	662	36	560	280	280	379	197	182	315	270	17	T3	116
	3	100L		178	192	292	662												116
	4	112M		178	192	336	706												126
	5,5	132S		178	205	396	779												138
80-315	5,5	132S	80	190	209	396	795	40	595	315	280	425	220	205	395	350	18	T4	167
	7,5	132M		190	209	396	795												188
	11	160M		190	249	476	915												213
	15	160L		190	249	476	915												227
100-160	1,5	90L	100	158	184	267	609	28	475	250	225	292	162	130	255	220	14	T2	84
	2,2	100L		158	184	292	634												91
	3	100L		158	184	292	634												94
100-200	3	100L	100	197	194	292	683	28	525	275	250	362	192	170	255	220	14	T2	93
	4	112M		197	194	336	727												119
	5,5	132S		197	208	396	801												132
	7,5	132M		197	208	396	801												132
100-250	4	112M	100	205	195	336	736	36	580	300	280	384	206	178	315	270	17	T3	139
	5,5	132S		205	208	396	809												151
	7,5	132M		205	208	396	809												172
	11	160M		205	248	476	929												197
100-315	7,5	132M	100	199	209	396	804	40	670	355	315	455	240	215	395	350	18	T4	211
	11	160M		199	249	476	924												236
	15	160L		199	249	476	924												250
	18,5	180M		199	249	519	967												280
100-400	15	160L	100	190	257	476	923	40	800	400	400	558	288	270	395	350	18	T4	343
	18,5	180M		190	257	519	966												372
	22	180L		190	257	519	966												380
	30	200L		190	257	555	1002												431
	37	225S		190	287	625	1102												500
125-200	3	100L	125	220	219	292	731	40	560	280	280	390	208	182	395	350	18	T4	148
	4	112M		220	219	336	775												155
	5,5	132S		220	232	396	848												167
	7,5	132M		220	232	396	848												188

## GENEL ÖLÇÜLER (GENERAL DIMENSIONS)

### 1450 DEV / DAK

POMPA TİPİ (PUMP TYPE)	MOTOR (ENGINE)		DNe/DNb mm	ÖLÇÜLER (mm) (DIMENSIONS)																ALT TABLA (SUPPORT STAND)	AĞIRLIK (kg) (WEIGHT)
	kw	IEC		A	B	Lm	L	T	H	h1	h2	G	g1	g2	□S	□K	Ød				
125-250	5,5	132S	125	220	232	396	848	40	630	315	315	413	218	195	395	350	18	T4	175		
	7,5	132M		220	232	396	848												196		
	11	160M		220	272	476	968												221		
	15	160L		220	272	476	968												235		
125-315	11	160M	125	197	275	476	948	42	710	355	355	488	258	230	395	350	18	T4	259		
	15	160L		197	275	476	948												273		
	18,5	180M		197	275	519	991												303		
	22	180L		197	275	519	991												311		
	30	200L		197	275	555	1027												330		
125-400	22	180L	125	197	285	519	1001	42	800	400	400	562	292	270	395	350	18	T4	392		
	30	200L		197	285	555	1037												443		
	37	225S		197	315	625	1137												512		
	45	225M		197	315	625	1137												549		
150-250	11	160M	150	226	296	476	998	42	710	355	355	474	254	220	440	380	23	T5	274		
	15	160L		226	296	476	998												288		
	18,5	180M		226	296	519	1041												317		
	22	180L		226	296	519	1041												325		
150-315	15	160L	150	222	317	476	1015	42	710	355	355	548	290	258	440	380	23	T5	365		
	18,5	180M		222	317	519	1058												394		
	22	180L		222	317	519	1058												402		
	30	200L		222	317	555	1094												453		
	37	225S		222	347	625	1194												523		
150-400	37	225S	150	222	347	625	1194	42	800	400	400	604	314	290	440	380	23	T5	574		
	45	225M		222	347	625	1194												611		
	55	250M		222	347	745	1314												631		
	75	280M		222	347	885	1454												975		
200-315	18,5	180M	200	242	358	519	1119	42	800	450	350	547	295	252	440	380	23	T5	444		
	22	180L		242	358	519	1119												452		
	30	200L		242	358	555	1155												503		
	37	225S		242	387	625	1254												573		
	45	225M		242	387	625	1254												610		
200-400	37	225S	200	242	387	625	1254	42	900	500	400	618	328	290	440	380	23	T5	623		
	45	225M		242	387	625	1254												660		
	55	250M		242	387	745	1374												900		
	75	280M		242	387	885	1514												1024		
	90	280M		242	387	885	1514												1060		

## GENEL ÖLÇÜLER (GENERAL DIMENSIONS)

### 2900 DEV / DAK

POMPA TİPİ (PUMP TYPE)	MOTOR (ENGINE)		DNe/DNb mm	ÖLÇÜLER (mm) (DIMENSIONS)														ALT TABLA (SUPPORT STAND)	AĞIRLIK (kg) (WEIGHT)
	kw	IEC		A	B	Lm	L	T	H	h1	h2	G	g1	g2	□S	□K	Ød		
40-125	1,1	80M	40	102	164	244	510	26	300	160	140	208	108	100	200	160	14	T1	45
	1,5	90S		102	164	267	533												49
	2,2	90L		102	164	267	533												51
	3	100L		102	186	292	580												59
40-160	3	100L	40	103	185	292	580	26	340	180	160	236	122	114	200	160	14	T1	65
	4	112M		103	185	336	624												73
	5,5	132S		103	198	396	697												84
40-200	4	112M	40	108	185	336	629	28	380	200	180	275	140	135	255	220	14	T2	80
	5,5	132S		108	198	396	702												89
	7,5	132S		108	198	396	702												96
	11	160M		108	238	476	822												135
50-125	1,5	90S	50	116	164	267	547	26	300	160	140	212	110	102	200	160	14	T1	52
	2,2	90L		116	164	267	547												54
	3	100L		116	186	292	594												61
	4	112M		116	186	336	638												69
	5,5	132S		116	198	396	710												69
50-160	3	100L	50	115	185	292	592	26	340	180	160	238	124	114	200	160	14	T1	64
	4	112M		115	185	336	636												72
	5,5	132S		115	198	396	709												82
	7,5	132S		115	198	396	709												89
	11	160M		115	238	476	829												89
50-200	7,5	132S	50	118	198	396	712	28	425	225	200	280	145	135	255	220	14	T2	100
	11	160M		118	238	476	832												139
	15	160M		118	238	476	832												146
50-250	11	160M	50	118	237	476	831	28	475	250	225	342	175	167	255	220	14	T2	152
	15	160M		118	237	476	831												160
	18,5	160L		118	237	476	831												174
	22	180M		118	237	519	874												198
	30	200L		118	237	555	910												198
65-125	3	100L	65	138	186	292	616	28	340	180	160	222	120	102	255	220	14	T2	71
	4	112M		138	186	336	660												78
	5,5	132S		138	198	396	732												87
	7,5	132S		138	198	396	732												87
65-160	5,5	132S	65	138	198	396	732	28	380	200	180	252	136	116	255	220	14	T2	91
	7,5	132S		138	198	396	732												98
	11	160M		138	238	476	852												131

## ÖLÇÜLER (DIMENSIONS)

### 2900 DEV / DAK

POMPA TİPİ (PUMP TYPE)	MOTOR (ENGINE)		DNe/DNb mm	ÖLÇÜLER (mm) (DIMENSIONS)														ALT TABLA (SUPPORT STAND)	AĞIRLIK (kg) (WEIGHT)
	kw	IEC		A	B	Lm	L	T	H	h1	h2	G	g1	g2	□S	□K	Ød		
65-200	11	160M	65	140	239	476	855	28	475	250	225	315	162	153	255	220	14	T2	147
	15	160M		140	239	476	855												153
	18,5	160L		140	239	476	855												168
	22	180M		140	239	519	898												182
65-250	15	160M	65	138	238	476	852	28	475	250	225	343	177	166	255	220	14	T2	180
	18,5	160L		138	238	476	852												180
	22	180M		138	238	519	895												204
	30	200L		138	238	555	931												246
	37	200L		138	238	555	931												265
80-125	4	112M	80	158	186	336	680	28	380	200	180	252	138	114	255	220	14	T2	85
	5,5	132S		158	198	396	752												94
	7,5	132S		158	198	396	752												101
	11	160M		158	238	476	872												101
80-160	11	160M	80	158	238	476	872	28	425	225	200	280	152	128	255	220	14	T2	144
	15	160M		158	238	476	872												151
	18,5	160L		158	238	476	872												166
80-200	15	160M	80	158	238	476	872	28	475	250	225	315	170	145	255	220	14	T2	158
	18,5	160L		158	238	476	872												173
	22	180M		158	238	519	915												197
	30	200L		158	238	555	951												242
80-250	22	180M	80	178	245	519	942	36	560	280	280	379	197	182	315	270	17	T3	200
	30	200L		178	245	555	978												205
	37	200L		178	245	555	978												229
	45	225M		178	245	625	1048												287
	55	250M		178	275	644	1097												287
100-160	11	160M	100	158	237	476	871	28	475	250	225	292	162	130	255	220	14	T2	154
	15	160M		158	237	476	871												161
	18,5	160L		158	237	476	871												176
	22	180M		158	237	519	914												176
100-200	22	180M	100	197	247	519	963	28	525	275	250	362	192	170	255	220	14		246
	30	200L		197	247	555	999												300
	37	200L		197	247	555	999												319
	45	225M		197	247	625	1069												358
100-250	37	200L	100	205	248	555	1008	36	580	300	280	384	206	178	315	270	17	T3	300
	45	225M		205	248	625	1078												363
	55	250M		205	278	644	1127												402

## ÖLÇÜLER (DIMENSIONS)

### BTKF-I MEKANİK SALMASTRALI; MOTOR ARA PARÇALARI (1450 DEV/DAK)

BTKF-I MECHANICAL SEAL; MOTOR INTERMEDLATE PARTS (1450 DEV/DAK)

POMPA TİPİ	71 tip	80 ve 90 tip	100 ve 112 tip	132 tip	160 ve 180 tip	200 tip	225 tip	250 ve 280 tip
40-125	1A							
40-160	2A	2B						
40-200		3B						
50-125	1A	1B						
50-160	2A	2B						
50-200		3B	3C					
50-250		2B	2C					
65-125	1A	1B						
65-160		2B						
65-200		3B	3C					
65-250			2C	2D				
65-315			4C	4D	4E			
80-125	1A	1B						
80-160		2B	2C					
80-200		3B	3C					
80-250			4C	4D				
80-315				4D	4E			
100-160		2B	2C					
100-200			4C	4D				
100-250			4C	4D	4E			
100-315				4D	4E			
100-400					6E	6F	6G	
125-200			4C	4D				
125-250				4D	4E			
125-315					4E	4F		
125-400					6E	6F	6G	
150-250					4E			
150-315					5E	5F	5G	
150-400							6G	6H
200-315					5E	5F	5G	
200-400							6G	6H

## ÖLÇÜLER (DIMENSIONS)

### BTKF-I MEKANİK SALMASTRALI SALMASTRALI MİL TABLOSU (1450 DEV/DAK) (BTKF-I MECHANICAL SEALS SHAFT TABLE)

POMPA TİPİ	71 tip	80 tip	90 tip	100 ve 112 tip	132 tip	160 tip	180 tip	200 tip	225 tip	250 tip	280 tip
40-125	3 nolu										
40-160	3 nolu	8 nolu									
40-200		8 nolu	13 nolu								
50-125	3 nolu	7 nolu									
50-160	3 nolu	8 nolu	13 nolu								
50-200		8 nolu	13 nolu	17 nolu							
50-250			13 nolu	17 nolu							
65-125	3 nolu	7 nolu									
65-160		8 nolu	13 nolu								
65-200			13 nolu	17 nolu							
65-250				17 nolu	23 nolu						
65-315				20 nolu	26 nolu	31 nolu					
80-125	3 nolu	7 nolu	12 nolu								
80-160		8 nolu	13 nolu	17 nolu							
80-200			13 nolu	17 nolu							
80-250				20 nolu	26 nolu						
80-315					26 nolu	31 nolu					
100-160			13 nolu	17 nolu							
100-200				20 nolu	26 nolu						
100-250				20 nolu	26 nolu	31 nolu					
100-315					26 nolu	31 nolu	36 nolu				
100-400						32 nolu	37 nolu	41 nolu	42 nolu		
125-200				20 nolu	26 nolu						
125-250					26 nolu	31 nolu					
125-315						31 nolu	36 nolu	40 nolu			
125-400							37 nolu	41 nolu	42 nolu		
150-250						31 nolu	36 nolu				
150-315						32 nolu	37 nolu	41 nolu	42 nolu		
150-400									42 nolu	44 nolu	45 nolu
200-315							37 nolu	41 nolu	42 nolu		
200-400									42 nolu	44 nolu	45 nolu

## PUMP DIMENSIONS

## POMPA ÖLÇÜLERİ

3000 rpm / (d/d)

Pump Type Pompa Tipi	Motor		Form	Dimensions / Ölçüler (mm)														Weight Ağırlık (kg)	
	kW	IEC		Outside Dimensions / Dış Ölçüler															
				DN <sub>e</sub> DN <sub>b</sub>	A	B	L <sub>m</sub>	L	T	H	h <sub>1</sub>	h <sub>2</sub>	G	g <sub>1</sub>	g <sub>2</sub>	S	K		Ød
80-250	22	180M	T3	80	176	243	576	995	36	560	280	280	378	196	182	315	270	17	255
80-250	30	200L	T3	80	176	243	643	1062	36	560	280	280	378	196	182	315	270	17	325
80-250	37	200L	T3	80	176	243	643	1062	36	560	280	280	378	196	182	315	270	17	335
80-250	45	225M	T3	80	176	243	688	1107	36	560	280	280	378	196	182	315	270	17	410
80-250	55	250M	T3	80	176	273	756	1205	36	560	280	280	378	196	182	315	270	17	500
100-160	11	160M	T2B	100	159	240	495	894	28	475	250	225	292	162	130	255	219	14	140
100-160	15	160M	T2B	100	159	240	495	894	28	475	250	225	292	162	130	255	219	14	146
100-160	18,5	160L	T2B	100	159	240	495	894	28	475	250	225	292	162	130	255	219	14	157
100-160	22	180M	T2B	100	159	240	576	975	28	475	250	225	292	162	130	255	219	14	232
100-200	22	180M	T2B	100	198	247	576	1021	28	525	275	250	358	191	167	255	219	14	244
100-200	30	200L	T2B	100	198	247	643	1088	28	525	275	250	358	191	167	255	219	14	314
100-200	37	200L	T2B	100	198	247	643	1088	28	525	275	250	358	191	167	255	219	14	325
100-200	45	225M	T2B	100	198	247	688	1133	28	525	275	250	358	191	167	255	219	14	400
100-250	37	200L	T3	100	206	251	643	1100	36	580	300	280	388	208	180	315	270	17	346
100-250	45	225M	T3	100	206	251	688	1145	36	580	300	280	388	208	180	315	270	17	420
100-250	55	225M	T3	100	206	281	756	1273	36	580	300	280	388	208	180	315	270	17	511

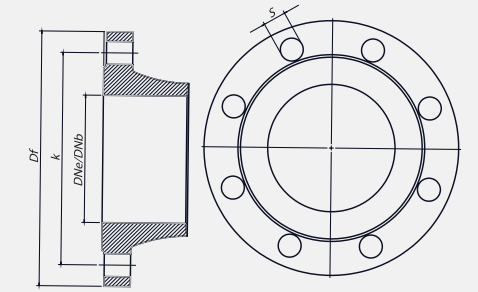
Please contact for 3600 rpm dimensions. Dimensions can be change according to motor brand.

3600 d/d ölçüler için iletişime geçiniz. Motor markasına göre boyutlar değişebilir.

## FLANGE DIMENSIONS

## FLANŞ ÖLÇÜLERİ

Pump Type Pompa Tipi	Suction & Discharge / Emme & Basma (PN 16)			
	Df	k	s	n
40	150	110	19	4
50	165	125	19	4
65	185	145	19	4
80	200	160	19	8
100	220	180	19	8
125	250	210	19	8
150	285	240	23	8
200	340	295	23	12



TS EN 1092 "n" Number of Holes / Delik Sayısı

## SEAL SOLUTIONS

## SALMASTRA ÇÖZÜMLERİ

Packing Type / Salmastra Tipi	Packing Specifications / Salmastra Özellikleri	
	Temperature / Sıcaklık	Pressure / Basınç
MG1	t = -20 °C ... +85 °C t = +85 °C ... +100 °C (*)	p1 = 16 bar (230 PSI) p1 = 16 bar (230 PSI) (*)

Note: Above datas mentioned according to BURGMANN Brand. Packing can be changed according to customer request.

Not: BURGMANN marka mekanik salmastraya göre belirlenmiştir. Müşteri isteğine göre salmastra marka değişikliği yapılabilir.

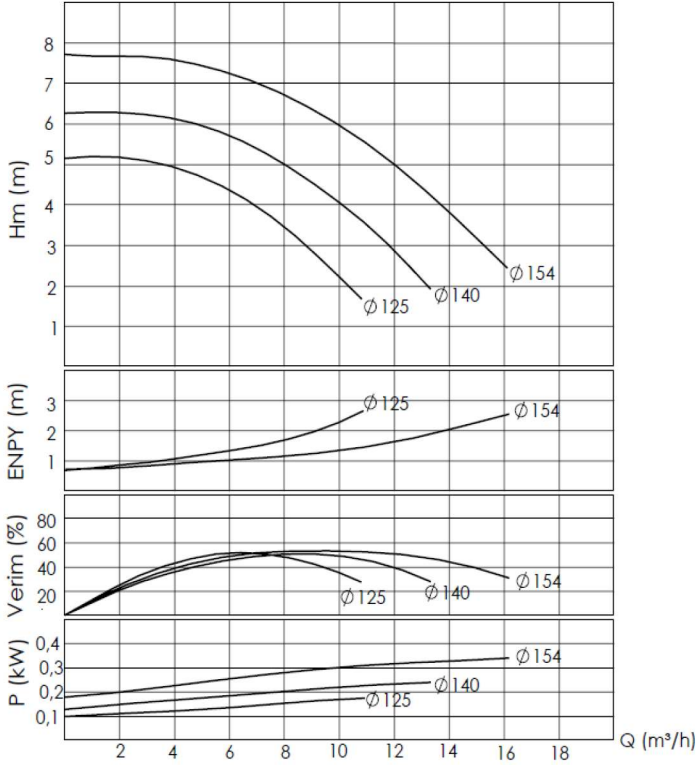
Different seal application can be use according to liquid specification.

Akışkan cinsi ve çalışma şartlarına göre farklı salmastra seçenekleri uygulanabilir.

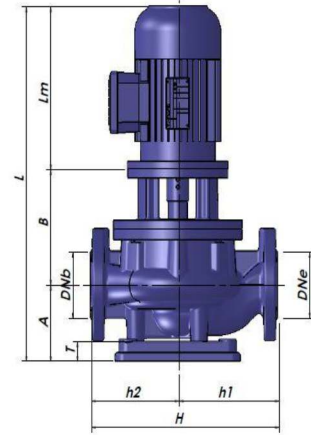
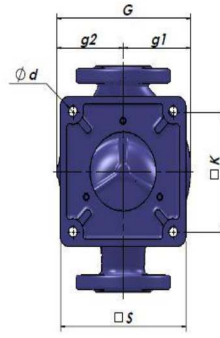
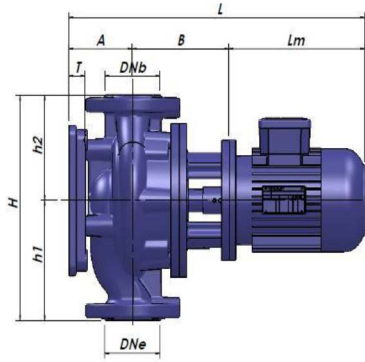
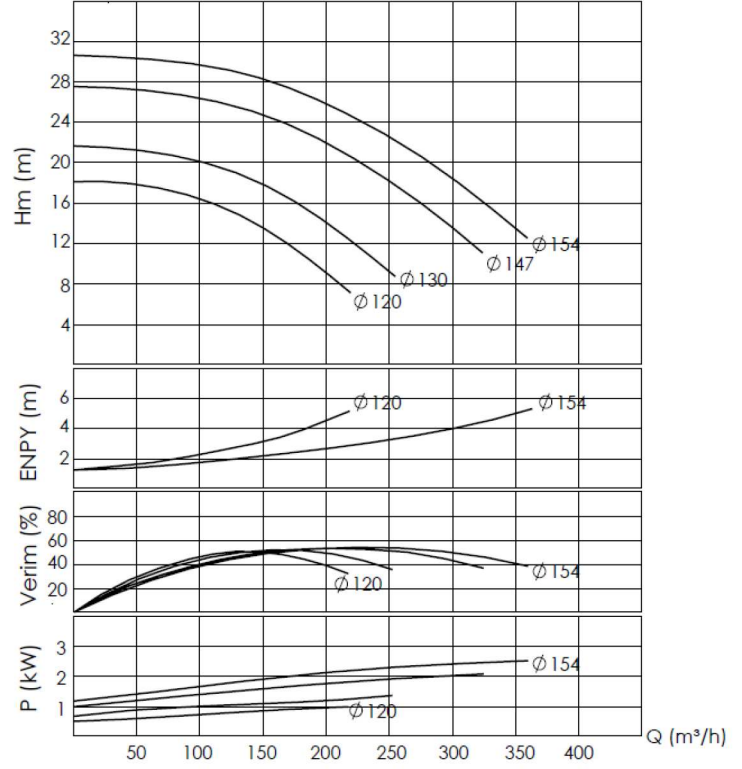


## GENEL ÖLÇÜLER (GENERAL DIMENSIONS)

BTKF-I 40-125 (1500 DEV/DK)



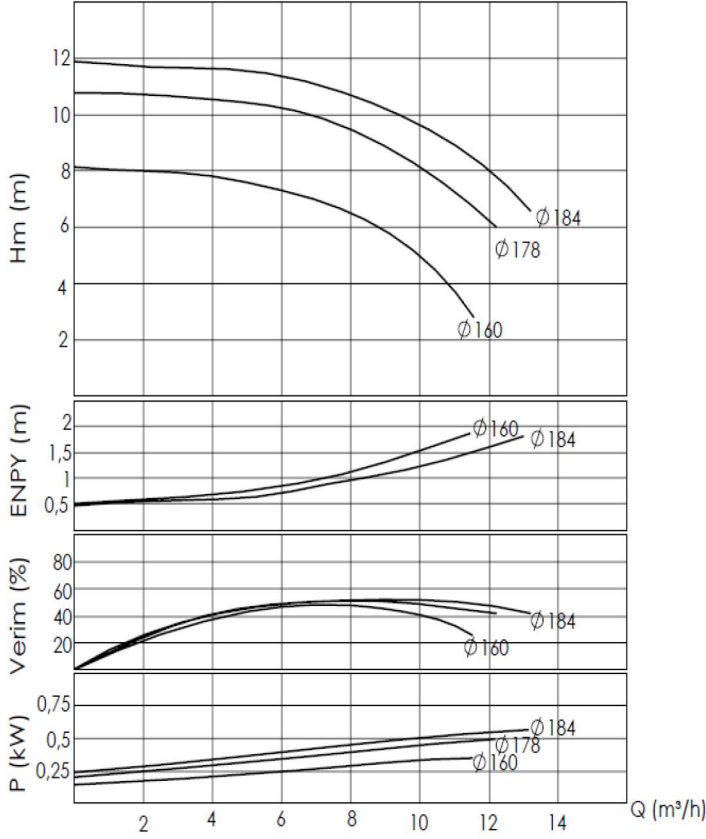
BTKF-I 40-125 (3000 DEV/DK)



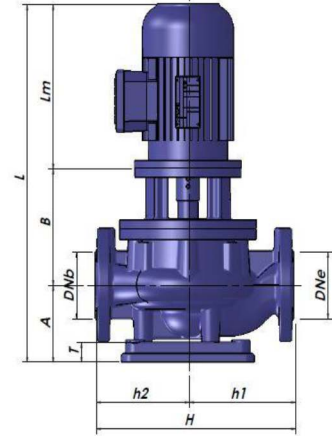
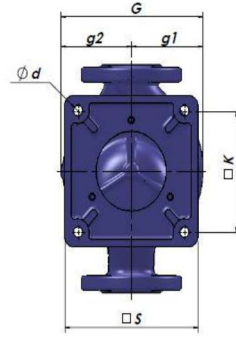
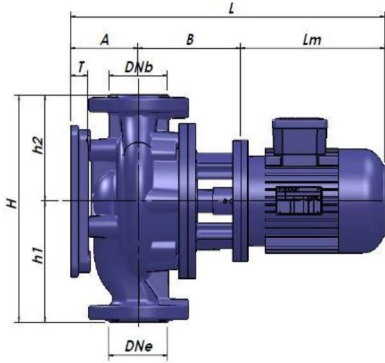
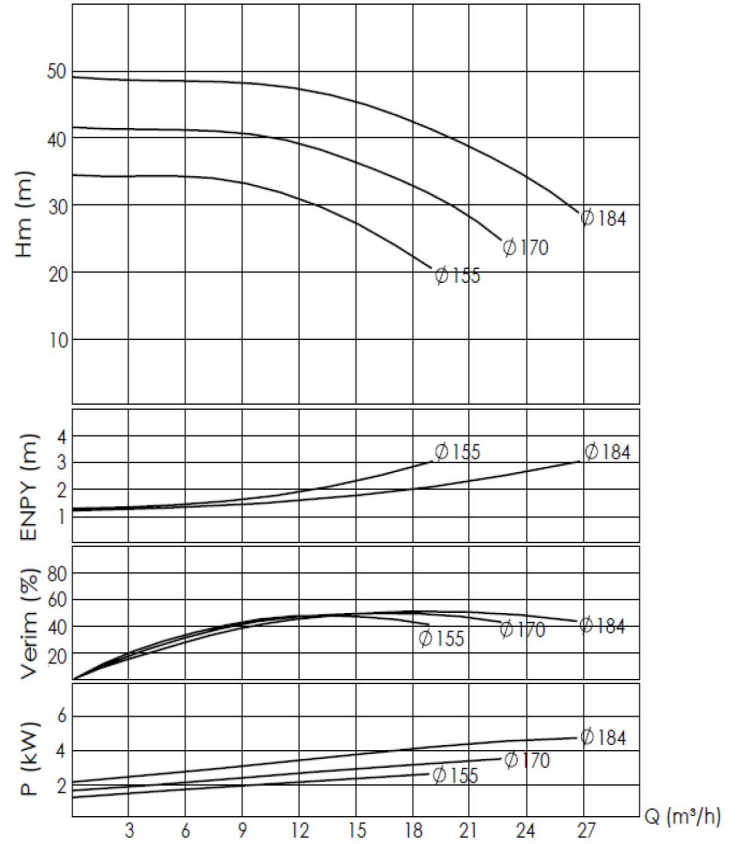
POMPA TİPİ (PUMP TYPE)	MOTOR (ENGINE)		DNe/DNI mm	ÖLÇÜLER (mm) (DIMENSIONS)														ALT TABLA (SUPPORT STAND)	AĞIRLIK (kg) (WEIGHT)
	kw	IEC		A	B	Lm	L	T	H	h1	h2	G	g1	g2	□S	□K	Ød		
40-125 (1500 dev/dak)	0,37	71M	40	102	154	223	479	26	300	160	140	208	108	100	200	160	14	T1	42

POMPA TİPİ (PUMP TYPE)	MOTOR (ENGINE)		DNe/DNb mm	ÖLÇÜLER (mm) (DIMENSIONS)														ALT TABLA (SUPPORT STAND)	AĞIRLIK (kg) (WEIGHT)
	kw	IEC		A	B	Lm	L	T	H	h1	h2	G	g1	g2	□S	□K	Ød		
40-125 (2900 dev/dak)	1,1	80M	40	102	164	244	510	26	300	160	140	208	108	100	200	160	14	T1	45
	1,5	90S		102	164	267	533												49
	2,2	90L		102	164	267	533												51
	3	100L		102	186	292	580												59

BTKF-I 40-160 (1500 DEV/DK)



BTKF-I 40-160 (3000 DEV/DK)

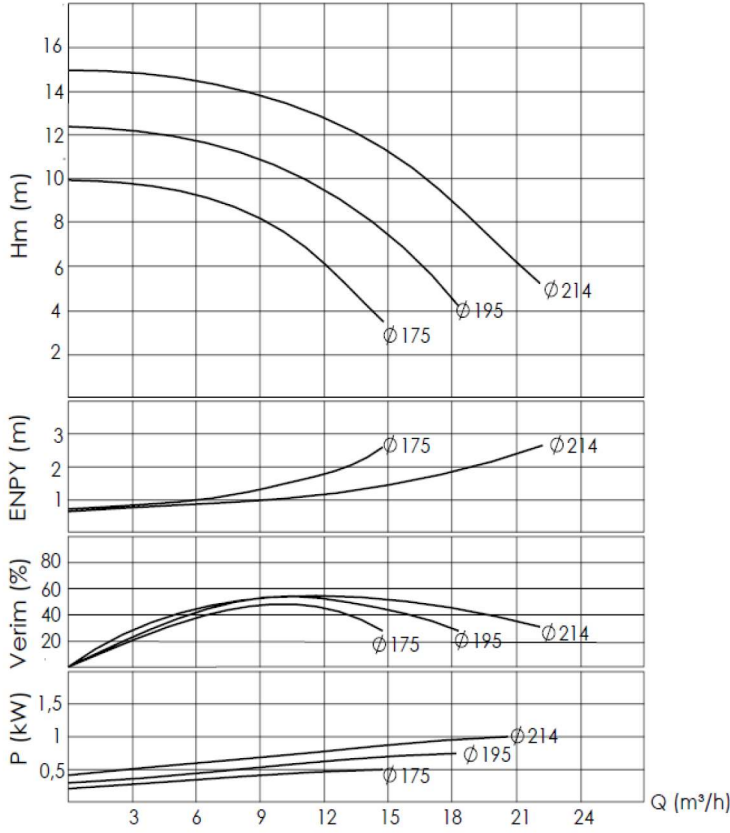


POMPA TİPİ (PUMP TYPE)	MOTOR (ENGINE)		DNe/DNI mm	ÖLÇÜLER (mm) (DIMENSIONS)														ALT TABLA (SUPPORT STAND)	AĞIRLIK (kg) (WEIGHT)
	kw	IEC		A	B	Lm	L	T	H	h1	h2	G	g1	g2	□S	□K	φd		
40-160 (1500 dev/dak)	0,37	71M	40	103	150	223	476	26	340	180	160	236	122	114	200	160	14	T1	48
	0,55	80M		103	185	244	532												52
	0,75	80M		103	185	244	532												53

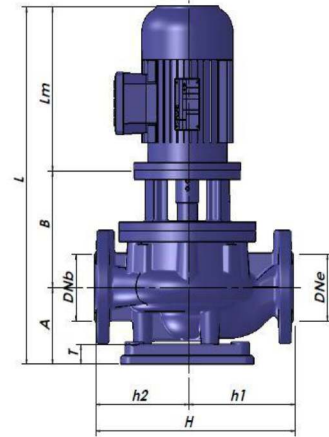
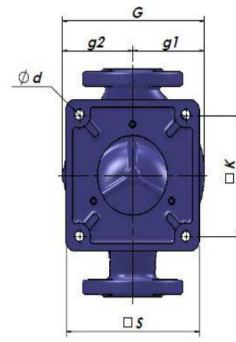
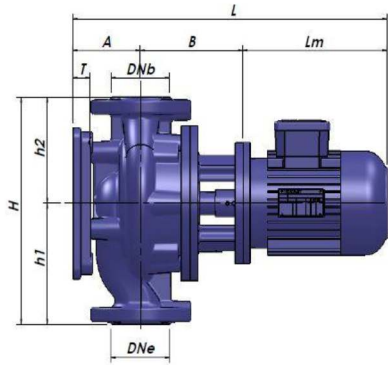
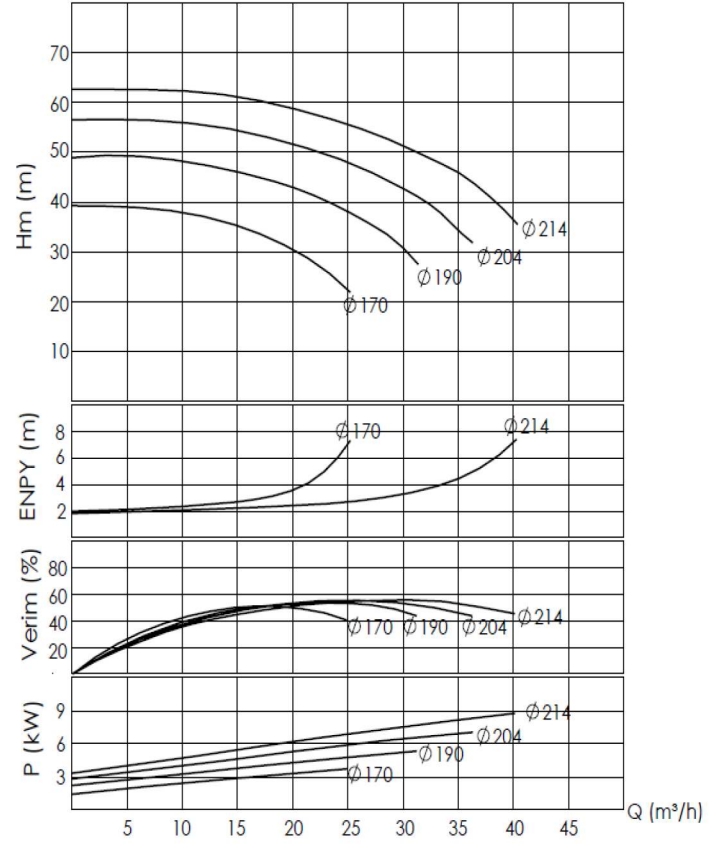
POMPA TİPİ (PUMP TYPE)	MOTOR (ENGINE)		DNe/DNb mm	ÖLÇÜLER (mm) (DIMENSIONS)														ALT TABLA (SUPPORT STAND)	AĞIRLIK (kg) (WEIGHT)
	kw	IEC		A	B	Lm	L	T	H	h1	h2	G	g1	g2	□S	□K	φd		
40-160 (2900 dev/dak)	3	100L	40	103	185	292	580	26	340	180	160	236	122	114	200	160	14	T1	65
	4	112M		103	185	336	624												73
	5,5	132S		103	198	396	697												84

## 40-200

BTKF-I 40-200 (1500 DEV/DK)



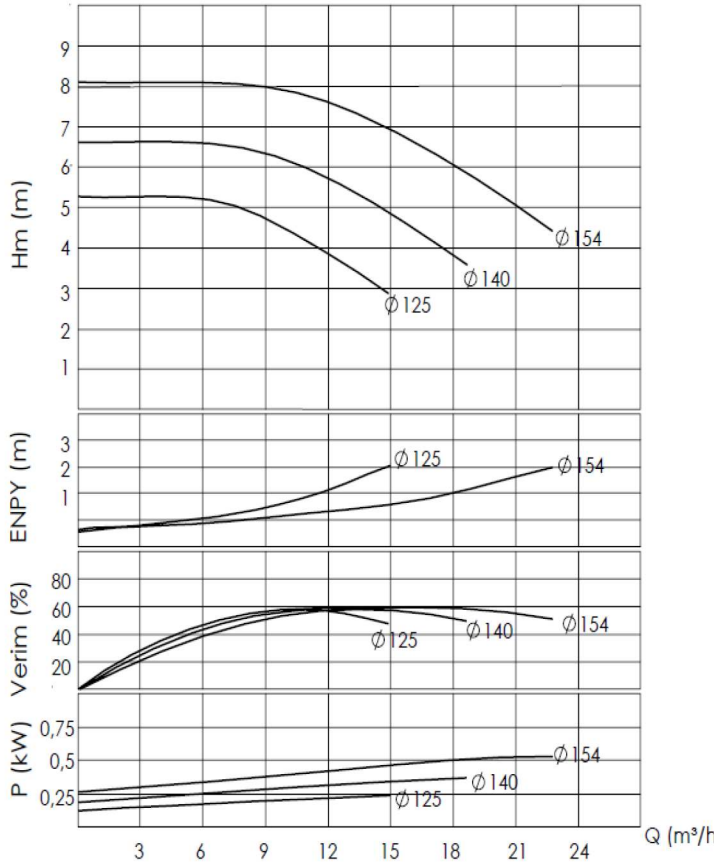
BTKF-I 40-200 (3000 DEV/DK)



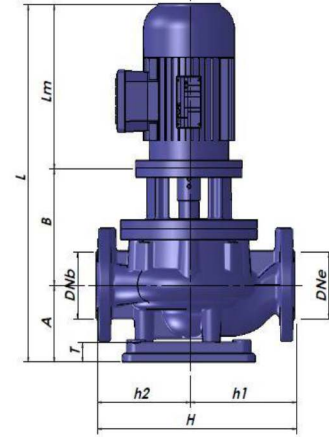
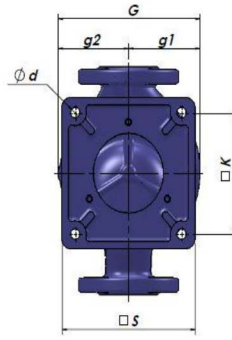
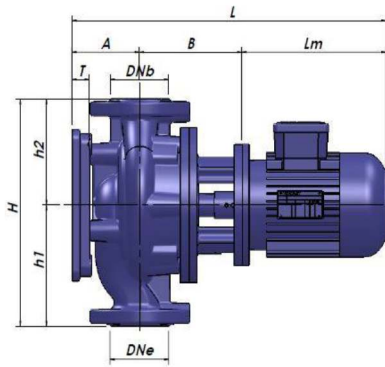
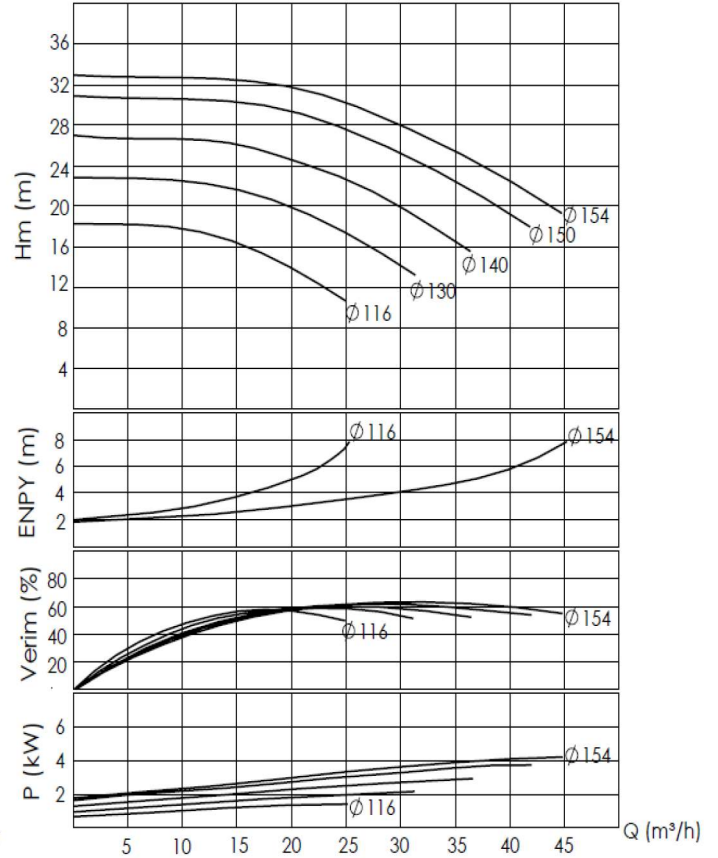
POMPA TİPİ (PUMP TYPE)	MOTOR (ENGINE)		DNe/DNI mm	ÖLÇÜLER (mm) (DIMENSIONS)														ALT TABLA (SUPPORT STAND)	AĞIRLIK (kg) (WEIGHT)
	kw	IEC		A	B	Lm	L	T	H	h1	h2	G	g1	g2	□S	□K	φd		
40-200 (1500 dev/dak)	0,55	80M	40	108	185	244	537	28	380	200	180	275	140	135	255	220	14	T2	58
	0,75	80M		108	185	244	537												59
	1,1	90S		108	185	267	560												62

POMPA TİPİ (PUMP TYPE)	MOTOR (ENGINE)		DNe/DNb mm	ÖLÇÜLER (mm) (DIMENSIONS)														ALT TABLA (SUPPORT STAND)	AĞIRLIK (kg) (WEIGHT)
	kw	IEC		A	B	Lm	L	T	H	h1	h2	G	g1	g2	□S	□K	φd		
40-200 (2900 dev/dak)	4	112M	40	108	185	336	629	28	380	200	180	275	140	135	255	220	14	T2	80
	5,5	132S		108	198	396	702												89
	7,5	132S		108	198	396	702												96
	11	160M		108	238	476	822												135

BTKF-I 50-125 (1500 DEV/DK)



BTKF-I 50-125 (3000 DEV/DK)

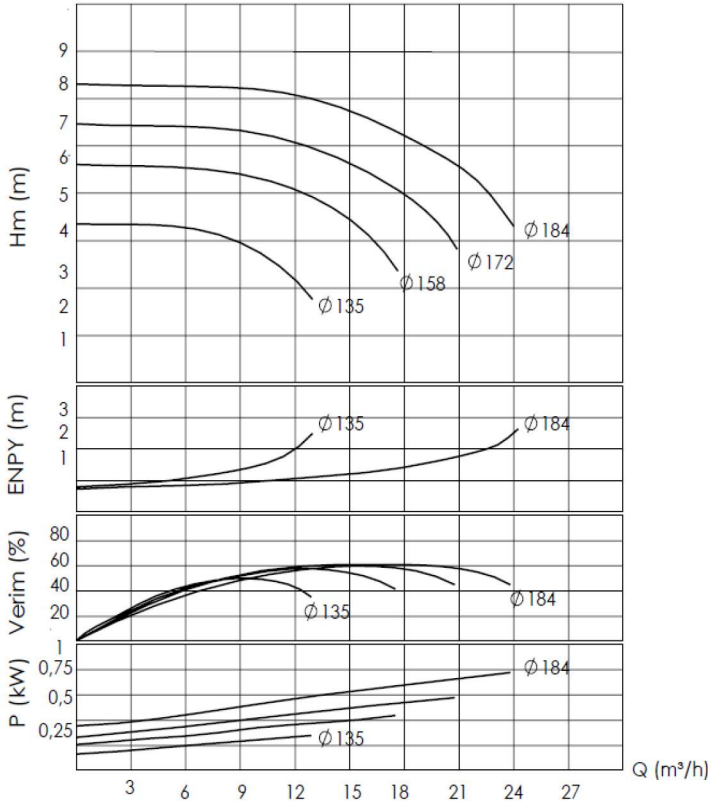


POMPA TİPİ (PUMP TYPE)	MOTOR (ENGINE)		DNe/DNI mm	ÖLÇÜLER (mm) (DIMENSIONS)														ALT TABLA (SUPPORT STAND)	AĞIRLIK (kg) (WEIGHT)
	kw	IEC		A	B	Lm	L	T	H	h1	h2	G	g1	g2	□S	□K	ød		
50-125 (1500 dev/dak)	0,37	71M	50	116	154	223	493	26	300	160	140	212	110	102	200	160	14	T1	43
	0,55	80M		116	164	244	524												44

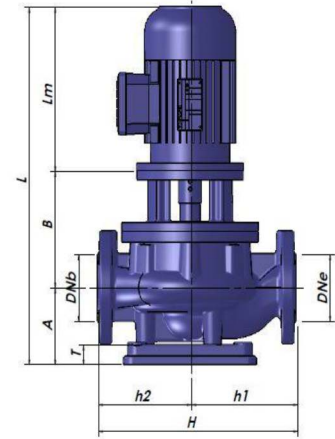
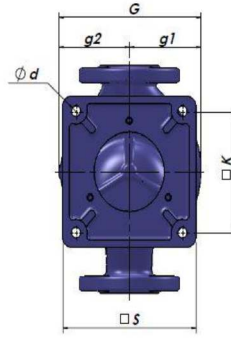
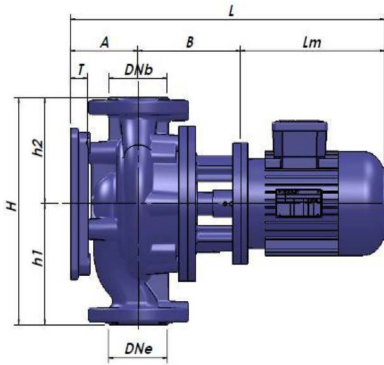
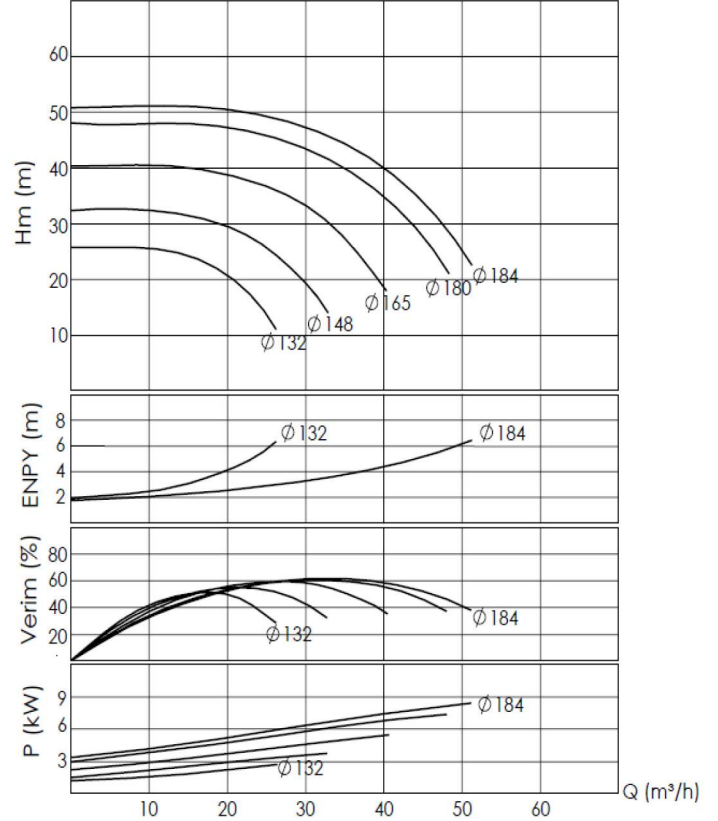
POMPA TİPİ (PUMP TYPE)	MOTOR (ENGINE)		DNe/DNb mm	ÖLÇÜLER (mm) (DIMENSIONS)														ALT TABLA (SUPPORT STAND)	AĞIRLIK (kg) (WEIGHT)
	kw	IEC		A	B	Lm	L	T	H	h1	h2	G	g1	g2	□S	□K	ød		
50-125 (2900 dev/dak)	1,5	90S	50	116	164	267	547	26	300	160	140	212	110	102	200	160	14	T1	52
	2,2	90L		116	164	267	547												54
	3	100L		116	186	292	594												61
	4	112M		116	186	336	638												69
	5,5	132S		116	198	396	710												69

# 50-160

BTKF-I 50-160 (1500 DEV/DK)



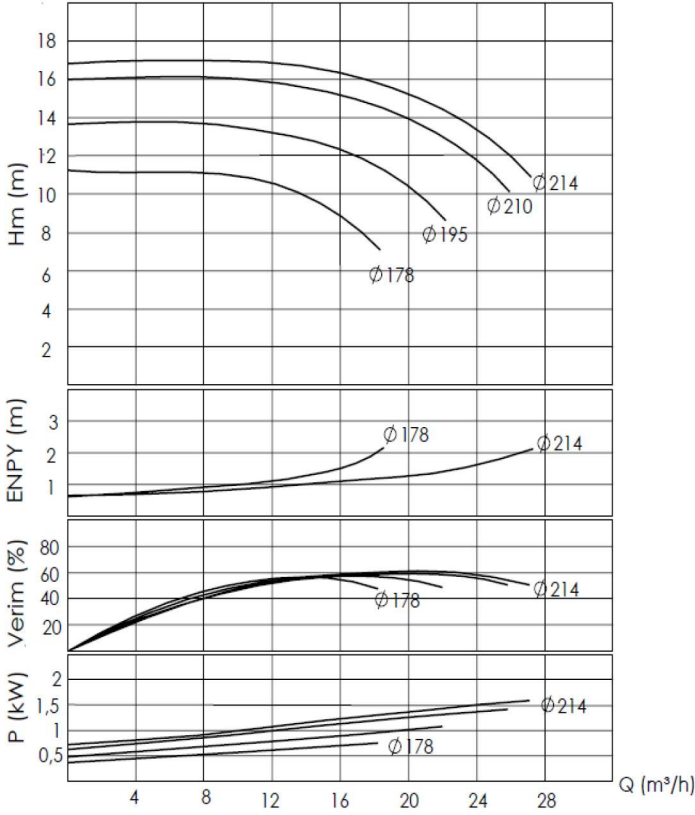
BTKF-I 50-160 (3000 DEV/DK)



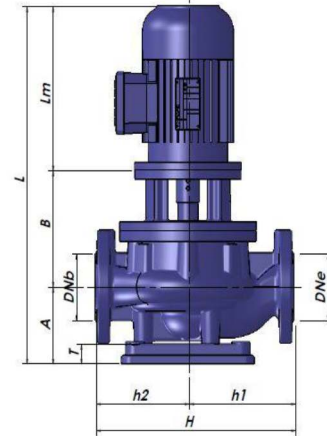
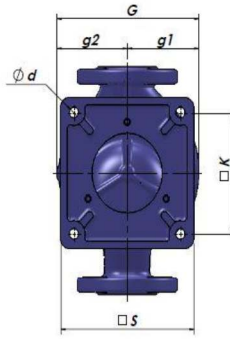
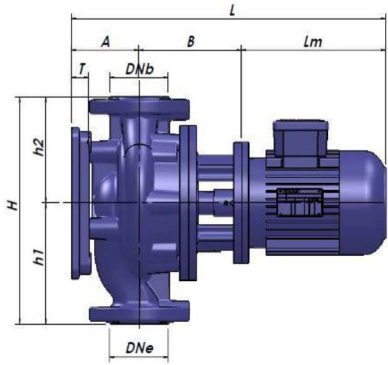
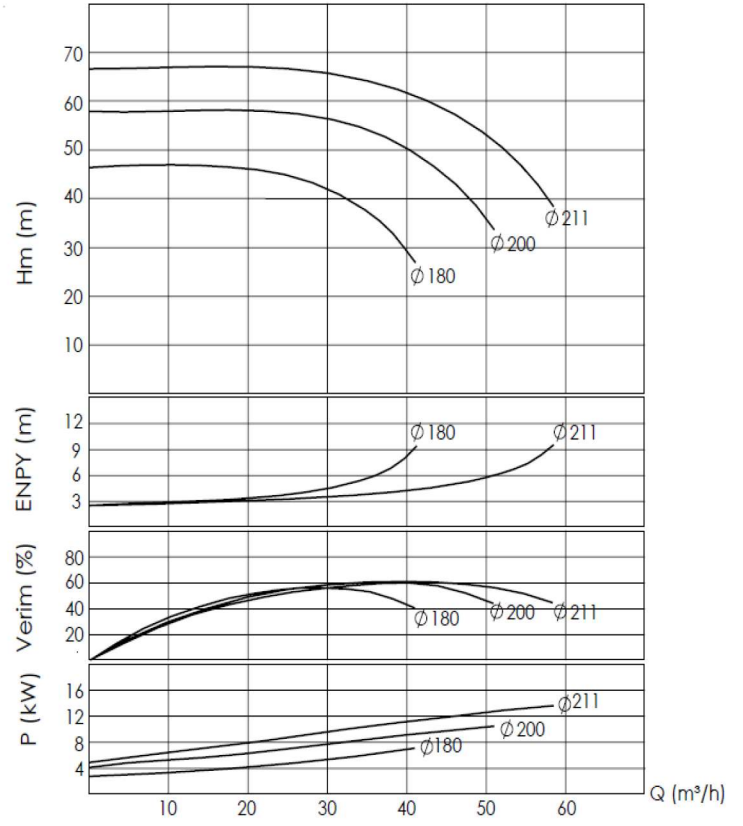
POMPA TİPİ (PUMP TYPE)	MOTOR (ENGINE)		DNe/DNl mm	ÖLÇÜLER (mm) (DIMENSIONS)														ALT TABLA (SUPPORT STAND)	AĞIRLIK (kg) (WEIGHT)
	kw	IEC		A	B	Lm	L	T	H	h1	h2	G	g1	g2	□S	□K	ød		
50-160 (1500 dev/dak)	0,37	71M	50	115	150	223	488	26	340	180	160	238	124	114	200	160	14	T1	47
	0,55	80M		115	185	244	544												51
	0,75	80M		115	185	244	544												52
	1,1	90S		115	185	267	567												55

POMPA TİPİ (PUMP TYPE)	MOTOR (ENGINE)		DNe/DNl mm	ÖLÇÜLER (mm) (DIMENSIONS)														ALT TABLA (SUPPORT STAND)	AĞIRLIK (kg) (WEIGHT)
	kw	IEC		A	B	Lm	L	T	H	h1	h2	G	g1	g2	□S	□K	ød		
50-160 (2900 dev/dak)	3	100L	50	115	185	292	592	26	340	180	160	238	124	114	200	160	14	T1	64
	4	112M		115	185	336	636												72
	5,5	132S		115	198	396	709												82
	7,5	132S		115	198	396	709												89
	11	160M		115	238	476	829												89

BTKF-I 50-200 (1500 DEV/DK)



BTKF-I 50-200 (3000 DEV/DK)

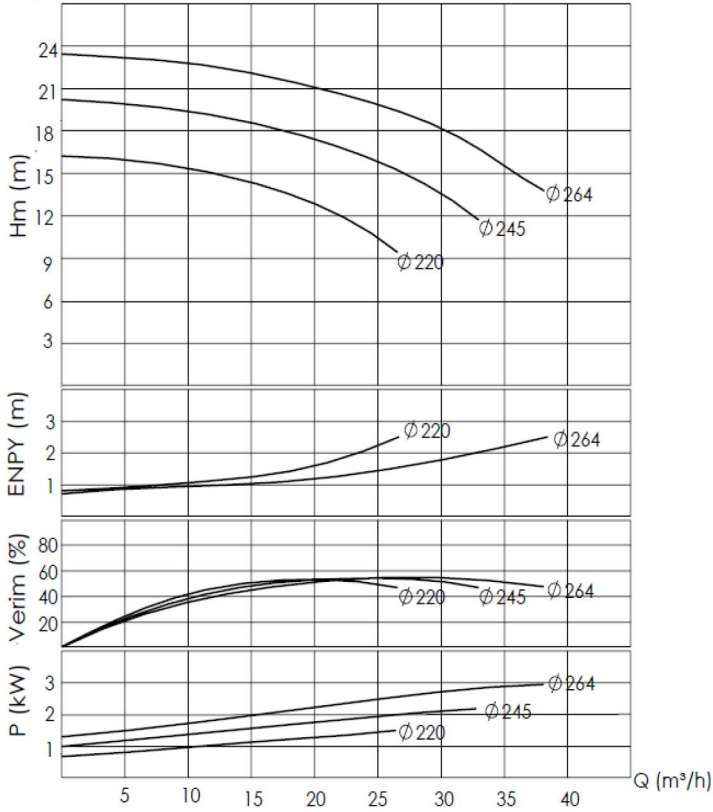


POMPA TİPİ (PUMP TYPE)	MOTOR (ENGINE)		DNe/DNl mm	ÖLÇÜLER (mm) (DIMENSIONS)														ALT TABLA (SUPPORT STAND)	AĞIRLIK (kg) (WEIGHT)
	kw	IEC		A	B	Lm	L	T	H	h1	h2	G	g1	g2	s	K	d		
50-200 (1500 dev/dak)	0,75	80M	50	118	185	244	547	28	425	225	200	280	145	135	255	220	14	T2	63
	1,1	90S		118	185	267	570												65
	1,5	90L		118	185	267	570												65
	2,2	100L		118	185	292	595												67

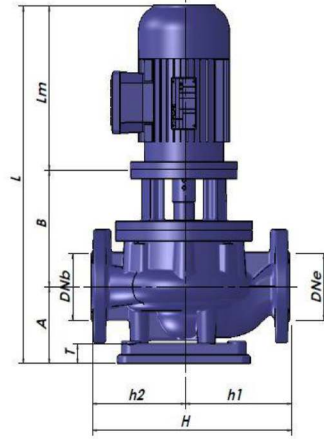
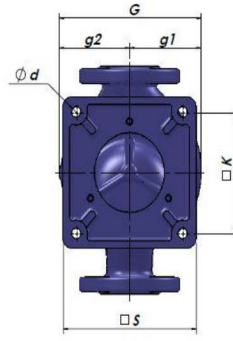
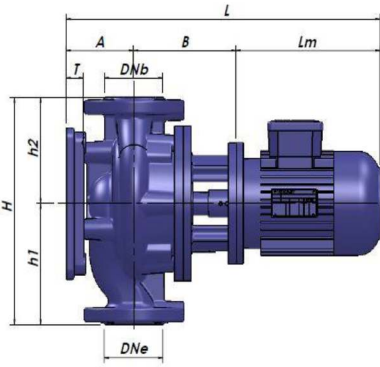
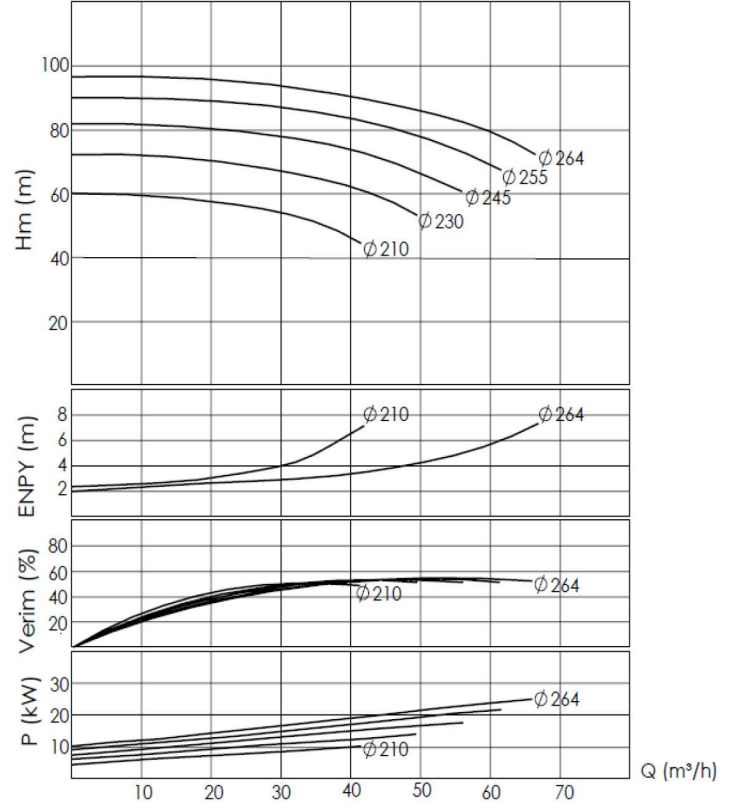
POMPA TİPİ (PUMP TYPE)	MOTOR (ENGINE)		DNe/DNb mm	ÖLÇÜLER (mm) (DIMENSIONS)														ALT TABLA (SUPPORT STAND)	AĞIRLIK (kg) (WEIGHT)
	kw	IEC		A	B	Lm	L	T	H	h1	h2	G	g1	g2	s	K	d		
50-200 (2900 dev/dak)	7,5	132S	50	118	198	396	712	28	425	225	200	280	145	135	255	220	14	T2	100
	11	160M		118	238	476	832												139
	15	160M		118	238	476	832												146

## 50-250

BTKF-I 50-250 (1500 DEV/DK)



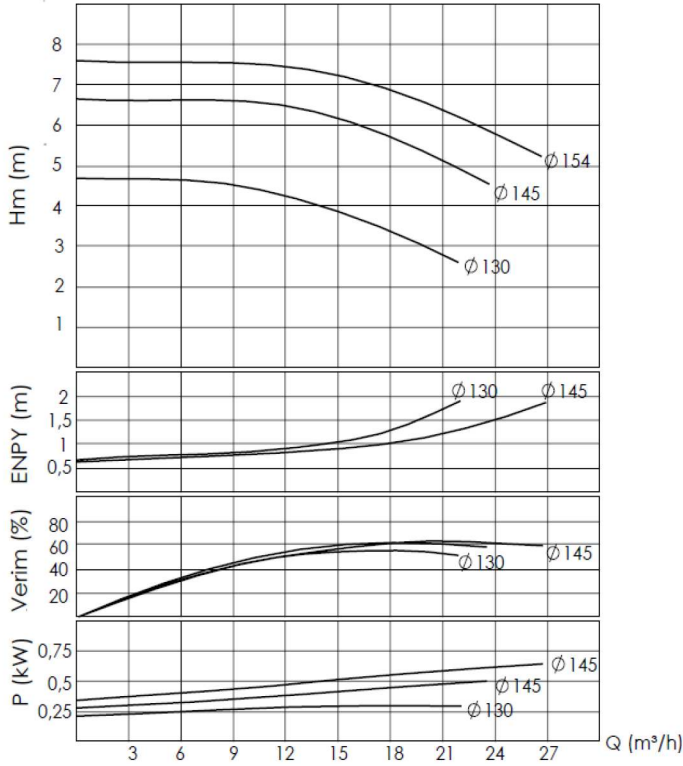
BTKF-I 50-250 (3000 DEV/DK)



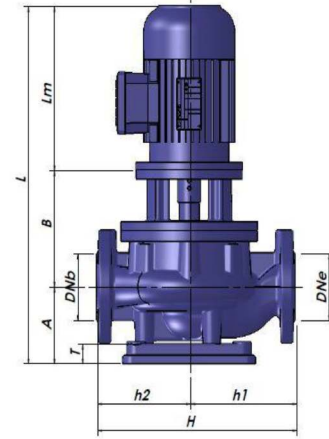
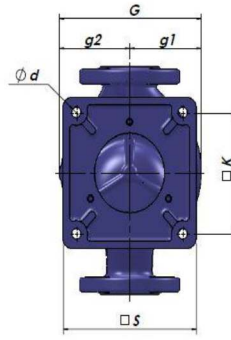
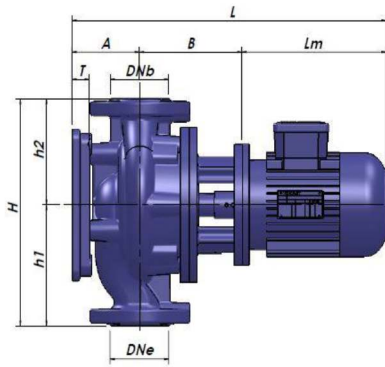
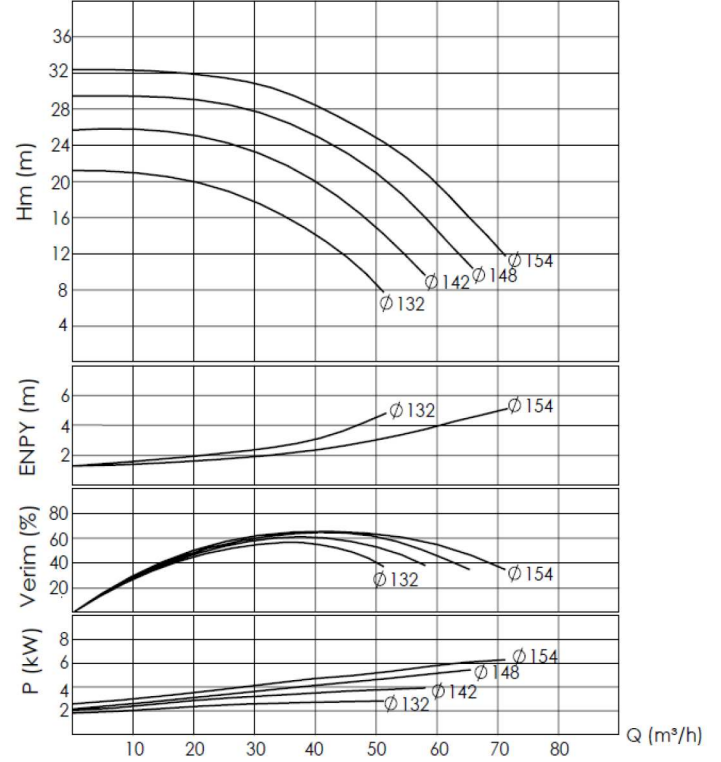
POMPA TİPİ (PUMP TYPE)	MOTOR (ENGINE)		DNe/DNb mm	ÖLÇÜLER (mm) (DIMENSIONS)														ALT TABLA (SUPPORT STAND)	AĞIRLIK (kg) (WEIGHT)
	kw	IEC		A	B	Lm	L	T	H	h1	h2	G	g1	g2	□S	□K	Ød		
50-250 (1500 dev/dak)	1,5	90L	50	118	184	267	569	28	475	250	225	342	175	167	255	220	14	T2	81
	2,2	100L		118	184	292	594												90
	3	100L		118	184	292	594												93

POMPA TİPİ (PUMP TYPE)	MOTOR (ENGINE)		DNe/DNb mm	ÖLÇÜLER (mm) (DIMENSIONS)														ALT TABLA (SUPPORT STAND)	AĞIRLIK (kg) (WEIGHT)
	kw	IEC		A	B	Lm	L	T	H	h1	h2	G	g1	g2	□S	□K	Ød		
50-250 (2900 dev/dak)	11	160M	50	118	237	476	831	28	475	250	225	342	175	167	255	220	14	T2	152
	15	160M		118	237	476	831												160
	18,5	160L		118	237	476	831												174
	22	180M		118	237	519	874												198
	30	200L		118	237	555	910												198

BTKF-I 65-125 (1500 DEV/DK)



BTKF-I 65-125 (3000 DEV/DK)



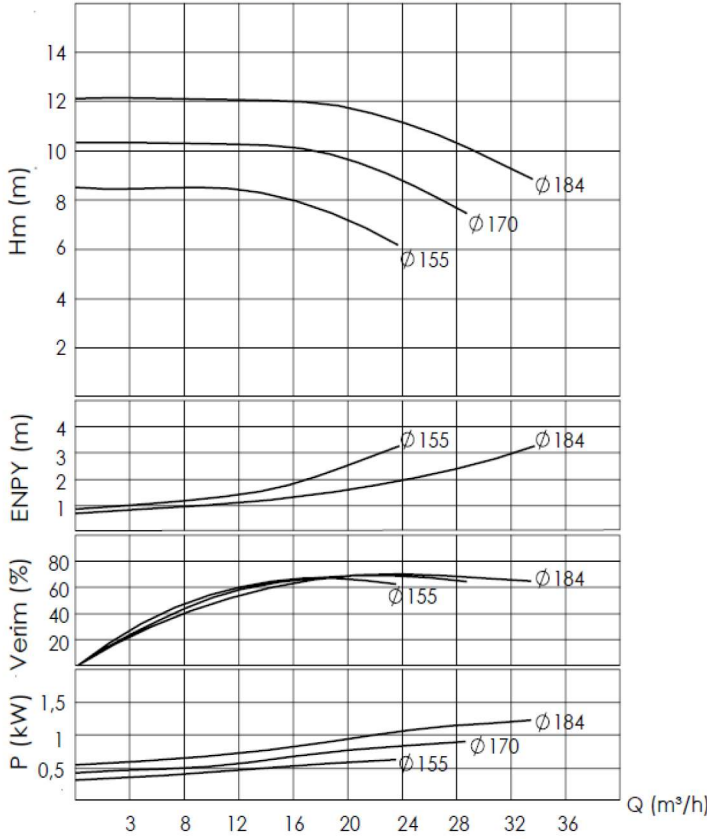
POMPA TİPİ (PUMP TYPE)	MOTOR (ENGINE)		DNe/DNI mm	ÖLÇÜLER (mm) (DIMENSIONS)														ALT TABLA (SUPPORT STAND)	AĞIRLIK (kg) (WEIGHT)
	kw	IEC		A	B	Lm	L	T	H	h1	h2	G	g1	g2	□S	□K	φd		
65-125 (1500 dev/dak)	0,37	71M	65	138	154	223	515	28	340	180	160	222	120	102	255	220	14	T2	52
	0,55	80M		138	164	244	546												56
	0,75	80M		138	164	244	546												57

POMPA TİPİ (PUMP TYPE)	MOTOR (ENGINE)		DNe/DNb mm	ÖLÇÜLER (mm) (DIMENSIONS)														ALT TABLA (SUPPORT STAND)	AĞIRLIK (kg) (WEIGHT)
	kw	IEC		A	B	Lm	L	T	H	h1	h2	G	g1	g2	□S	□K	φd		
65-125 (2900 dev/dak)	3	100L	65	138	186	292	616	28	340	180	160	222	120	102	255	220	14	T2	71
	4	112M		138	186	336	660												78
	5,5	132S		138	198	396	732												87
	7,5	132S		138	198	396	732												87

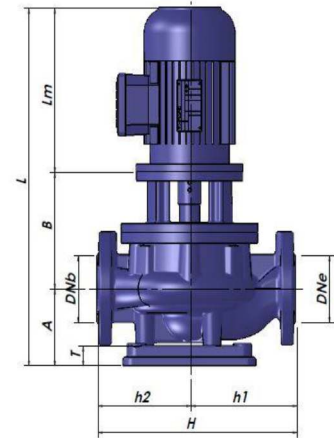
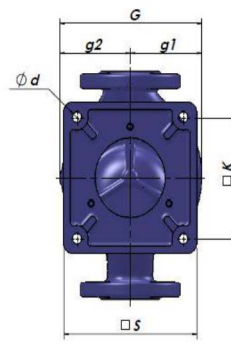
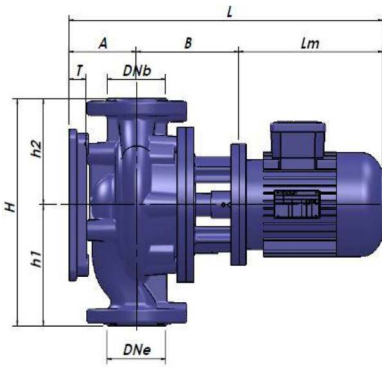
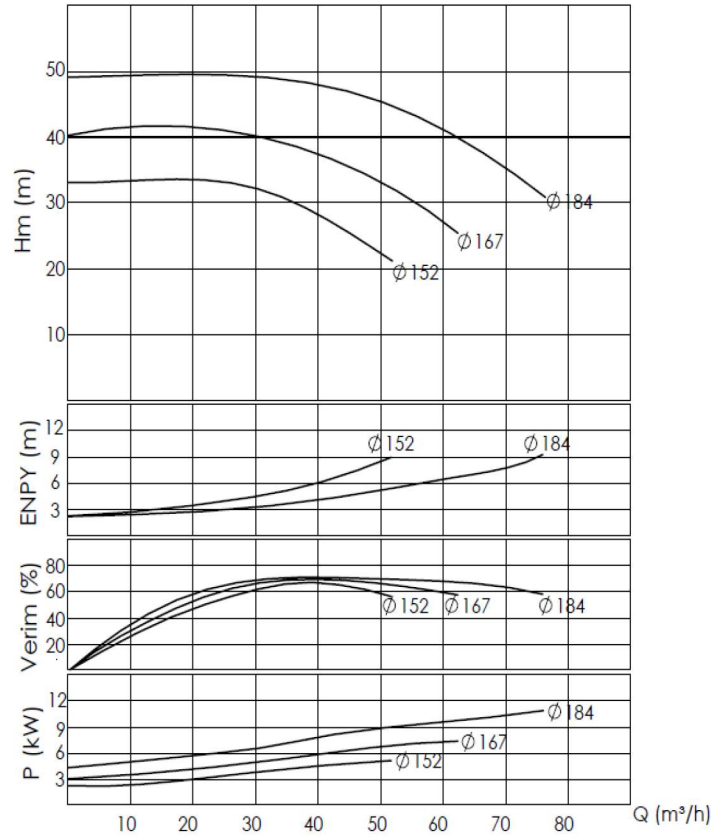


# 65-160

BTKF-I 65-160 (1500 DEV/DK)



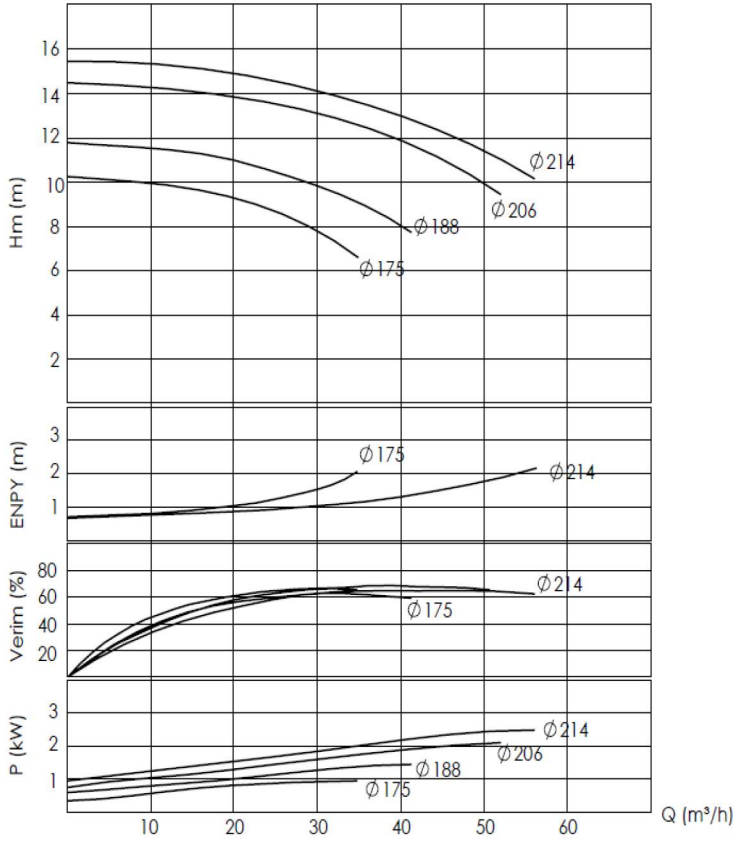
BTKF-I 65-160 (3000 DEV/DK)



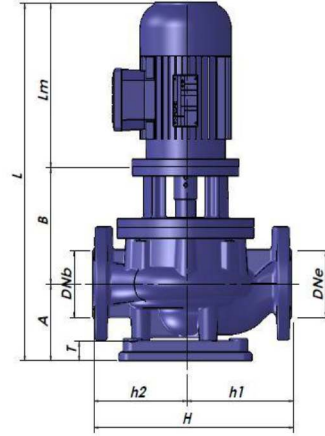
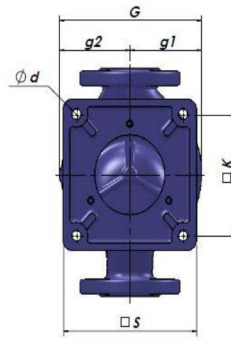
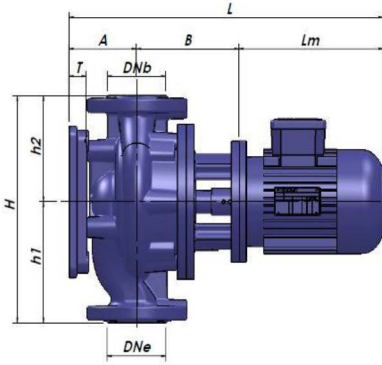
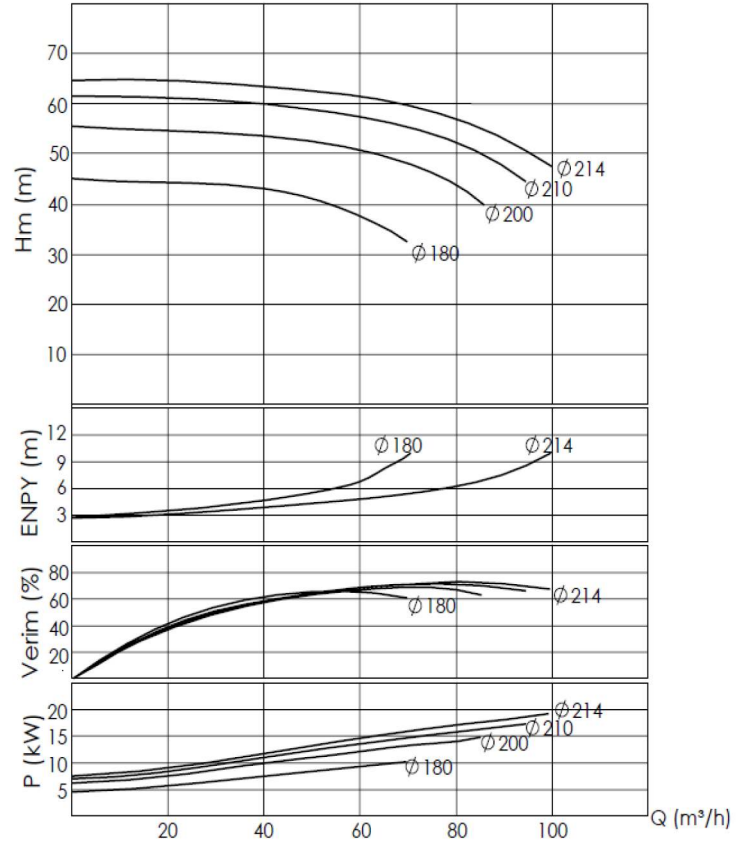
POMPA TİPİ (PUMP TYPE)	MOTOR (ENGINE)		DNe/DNl mm	ÖLÇÜLER (mm) (DIMENSIONS)														ALT TABLA (SUPPORT STAND)	AĞIRLIK (kg) (WEIGHT)
	kw	IEC		A	B	Lm	L	T	H	h1	h2	G	g1	g2	□S	□K	Ød		
65-160 (1500 dev/dak)	0,75	80M	65	138	185	244	567	28	380	200	180	252	136	116	255	220	14	T2	61
	1,1	90S		138	185	267	590												62
	1,5	90L		138	185	267	590												64

POMPA TİPİ (PUMP TYPE)	MOTOR (ENGINE)		DNe/DNl mm	ÖLÇÜLER (mm) (DIMENSIONS)														ALT TABLA (SUPPORT STAND)	AĞIRLIK (kg) (WEIGHT)
	kw	IEC		A	B	Lm	L	T	H	h1	h2	G	g1	g2	□S	□K	Ød		
65-160 (2900 dev/dak)	5,5	132S	65	138	198	396	732	28	380	200	180	252	136	116	255	220	14	T2	91
	7,5	132S		138	198	396	732												98
	11	160M		138	238	476	852												131

BTKF 65-200 (1500 DEV/DAK)



BTKF-I 65-200 (3000 DEV/DK)

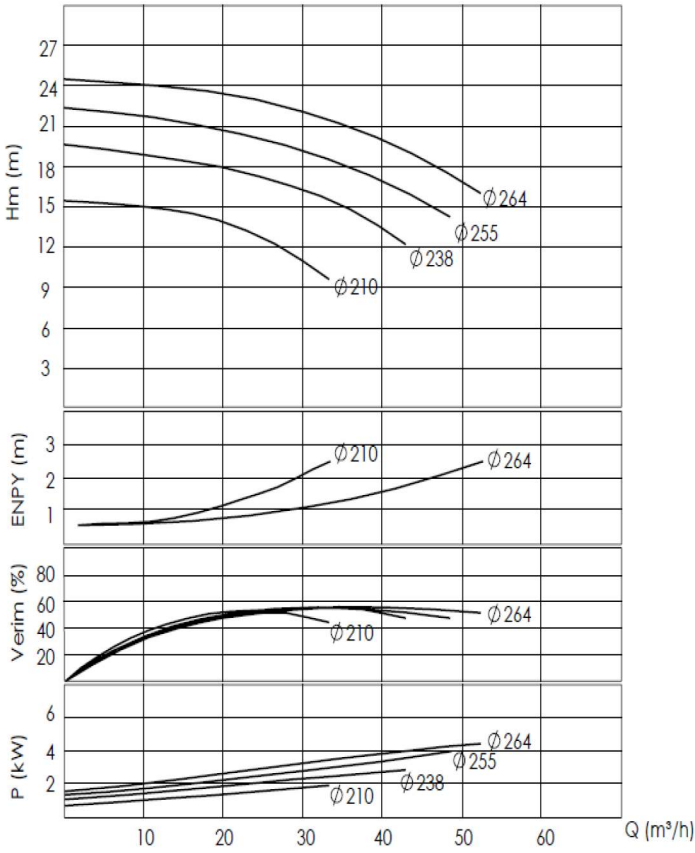


POMPA TİPİ (PUMP TYPE)	MOTOR (ENGINE)		DNe/DNI mm	ÖLÇÜLER (mm) (DIMENSIONS)															ALT TABLA (SUPPORT STAND)	AĞIRLIK (kg) (WEIGHT)
	kw	IEC		A	B	Lm	L	T	H	h1	h2	G	g1	g2	□S	□K	φd			
65-200 (1500 dev/dak)	1,1	90S	65	140	186	267	593	28	475	250	225	315	162	150	255	220	14	T2	77	
	1,5	90L		140	186	267	593												82	
	2,2	100L		140	186	292	618												88	
	3	100L		140	186	292	618												88	

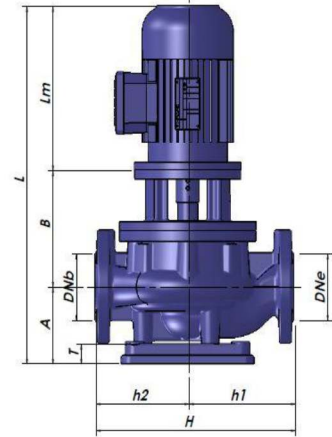
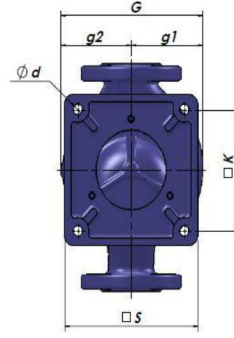
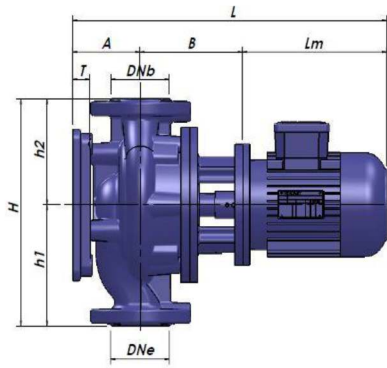
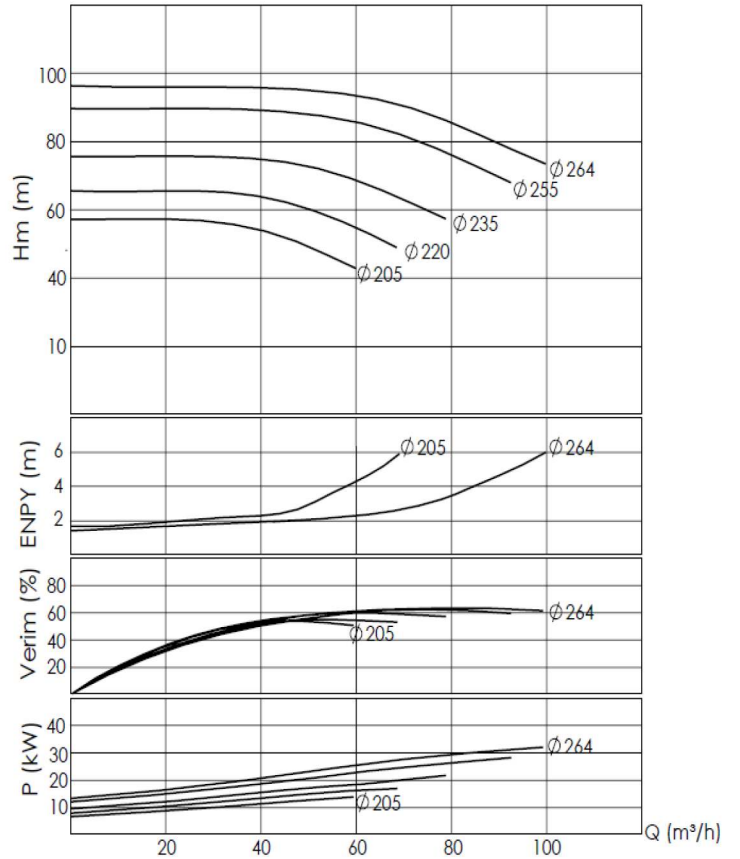
POMPA TİPİ (PUMP TYPE)	MOTOR (ENGINE)		DNe/DNb mm	ÖLÇÜLER (mm) (DIMENSIONS)															ALT TABLA (SUPPORT STAND)	AĞIRLIK (kg) (WEIGHT)
	kw	IEC		A	B	Lm	L	T	H	h1	h2	G	g1	g2	□S	□K	φd			
65-200 (2900 dev/dak)	11	160M	65	140	239	476	855	28	475	250	225	315	162	153	255	220	14	T2	147	
	15	160M		140	239	476	855												153	
	18,5	160L		140	239	476	855												168	
	22	180M		140	239	519	898												182	

## 65-250

BTKF 65-250 (1500 DEV/DAK)



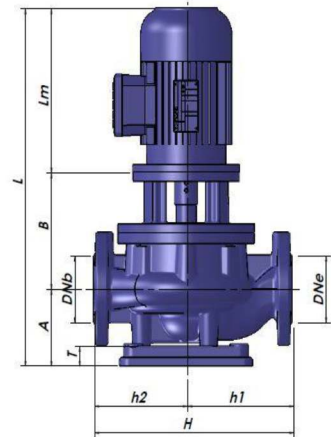
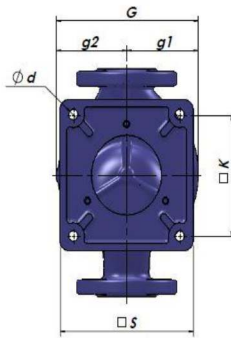
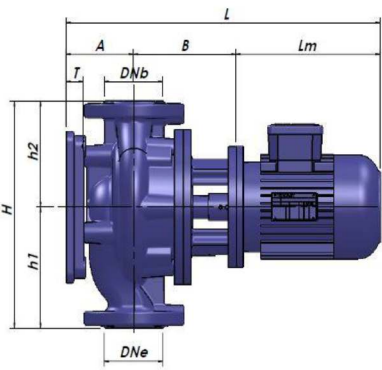
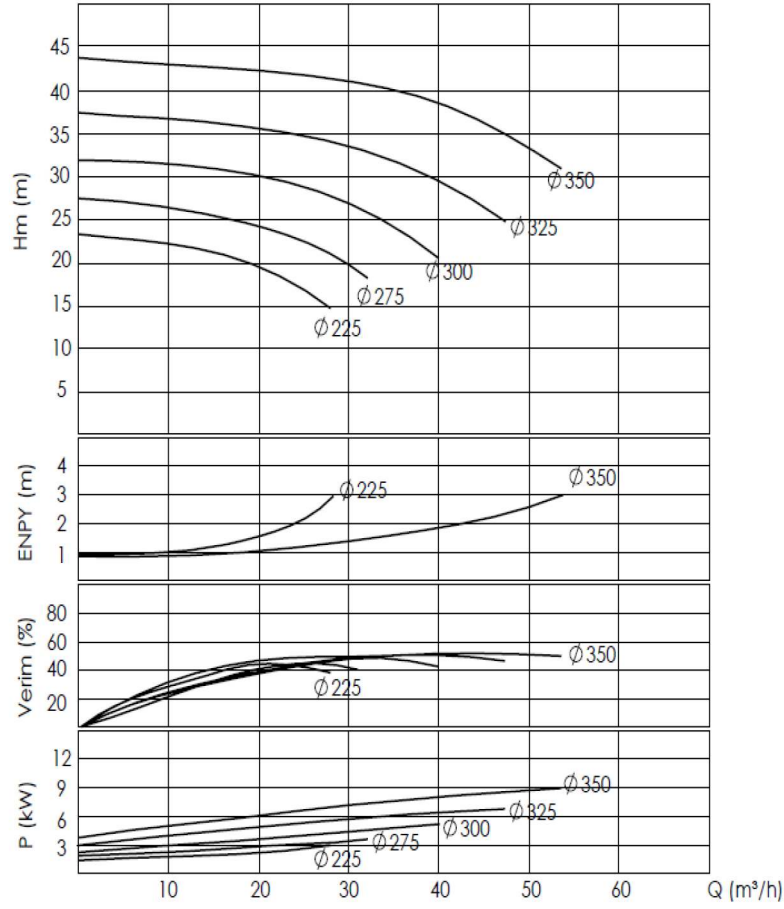
BTKF-I 65-250 (3000 DEV/DK)



POMPA TİPİ (PUMP TYPE)	MOTOR (ENGINE)			ÖLÇÜLER (mm) (DIMENSIONS)														ALT TABLA (SUPPORT STAND)	AĞIRLIK (kg) (WEIGHT)
	kw	IEC	DNe/DNI mm	A	B	Lm	L	T	H	h1	h2	G	g1	g2	□S	□K	Ød		
65-250 (1500 dev/dak)	2,2	100L	65	138	185	292	615	28	475	250	225	343	177	166	255	220	14	T2	96
	3	100L		138	185	292	615												99
	4	112M		138	185	336	659												105
	5,5	132S		138	198	396	732												115

POMPA TİPİ (PUMP TYPE)	MOTOR (ENGINE)			ÖLÇÜLER (mm) (DIMENSIONS)														ALT TABLA (SUPPORT STAND)	AĞIRLIK (kg) (WEIGHT)
	kw	IEC	DNe/DNb mm	A	B	Lm	L	T	H	h1	h2	G	g1	g2	□S	□K	Ød		
65-250 (2900 dev/dak)	15	160M	65	138	238	476	852	28	475	250	225	343	177	166	255	220	14	T2	180
	18,5	160L		138	238	476	852												180
	22	180M		138	238	519	895												204
	30	200L		138	238	555	931												246
	37	200L		138	238	555	931												265

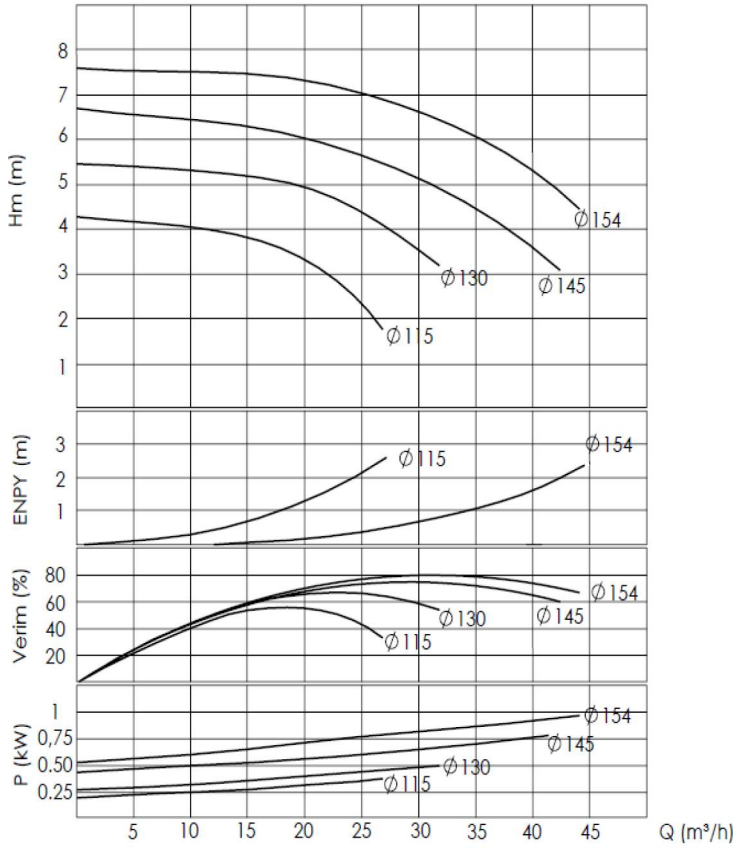
BTKF 65-315 (1500 DEV/DAK)



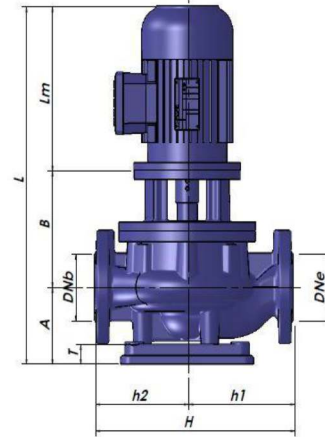
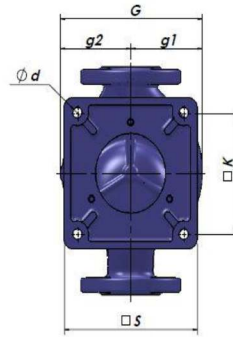
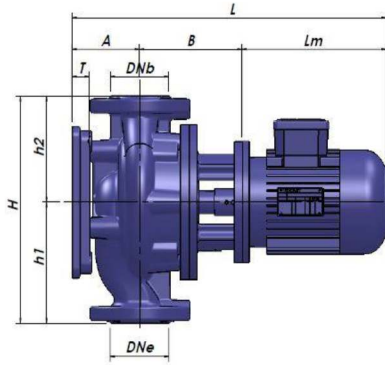
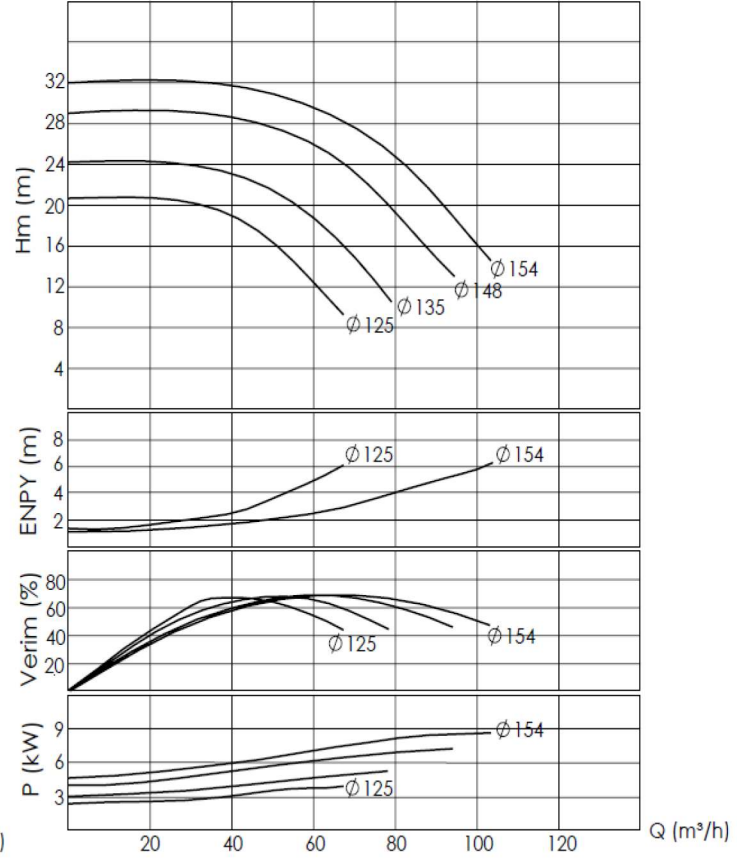
POMPA TİPİ (PUMP TYPE)	MOTOR (ENGINE)		DNe/DNI mm	ÖLÇÜLER (mm) (DIMENSIONS)														ALT TABLA (SUPPORT STAND)	AĞIRLIK (kg) (WEIGHT)
	kw	IEC		A	B	Lm	L	T	H	h1	h2	G	g1	g2	□S	□K	φd		
65-315 (1500 dev/dak)	3	100L	65	170	193	292	655	40	560	280	280	418	216	202	395	350	18	T4	132
	4	112M		170	193	336	699												139
	5,5	132S		170	206	396	772												152
	7,5	132M		170	206	396	772												173
	11	160M		170	246	476	892												197

## 80-125

BTKF 80-125(1500 DEV/DAK)



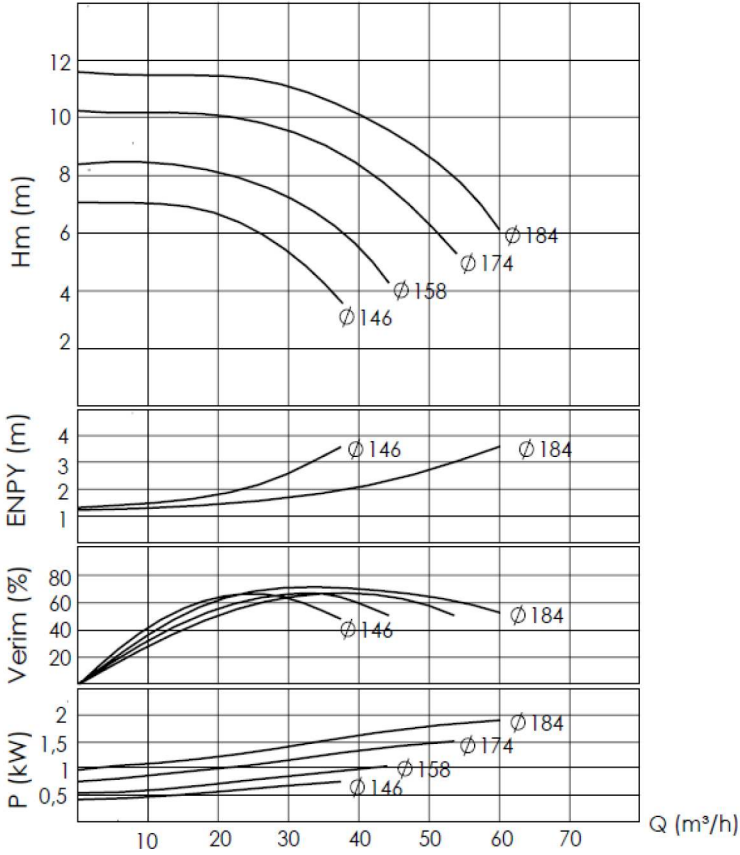
BTKF-I 80-125 (3000 DEV/DK)



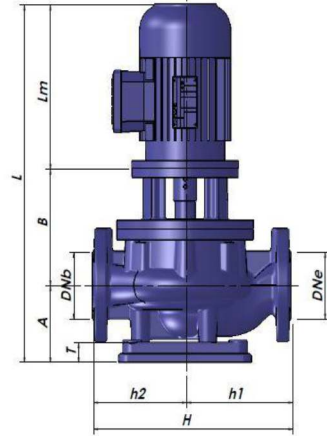
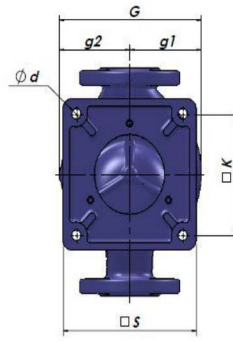
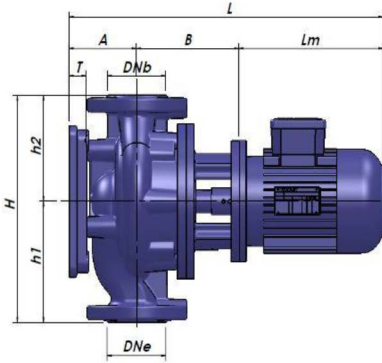
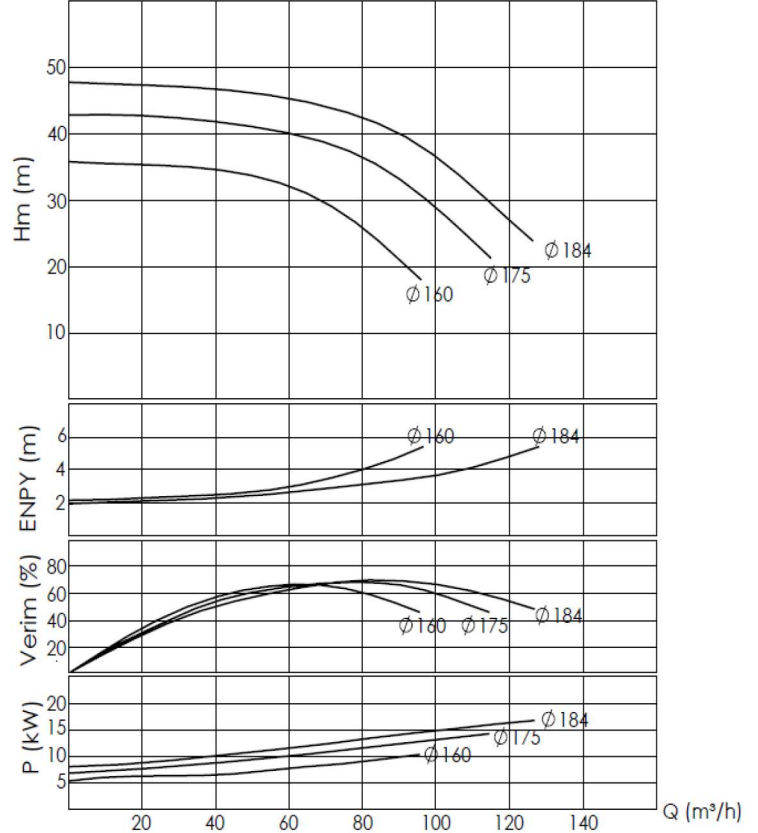
POMPA TİPİ (PUMP TYPE)	MOTOR (ENGINE)		DNe/DNI mm	ÖLÇÜLER (mm) (DIMENSIONS)														ALT TABLA (SUPPORT STAND)	AĞIRLIK (kg) (WEIGHT)
	kw	IEC		A	B	Lm	L	T	H	h1	h2	G	g1	g2	□S	□K	Ød		
80-125 (1500 dev/dak)	0,37	71M	80	158	154	223	535	28	380	200	180	252	138	114	255	220	14	T2	60
	0,55	80M		158	164	244	566												63
	0,75	80M		158	164	244	566												64
	1,1	90S		158	164	267	589												67

POMPA TİPİ (PUMP TYPE)	MOTOR (ENGINE)		DNe/DNb mm	ÖLÇÜLER (mm) (DIMENSIONS)														ALT TABLA (SUPPORT STAND)	AĞIRLIK (kg) (WEIGHT)
	kw	IEC		A	B	Lm	L	T	H	h1	h2	G	g1	g2	□S	□K	Ød		
80-125 (2900 dev/dak)	4	112M	80	158	186	336	680	28	380	200	180	252	138	114	255	220	14	T2	85
	5,5	132S		158	198	396	752												94
	7,5	132S		158	198	396	752												101
	11	160M		158	238	476	872												101

BTKF-I 80-160 (1500 DEV/DK)



BTKF-I 80-160 (3000 DEV/DK)

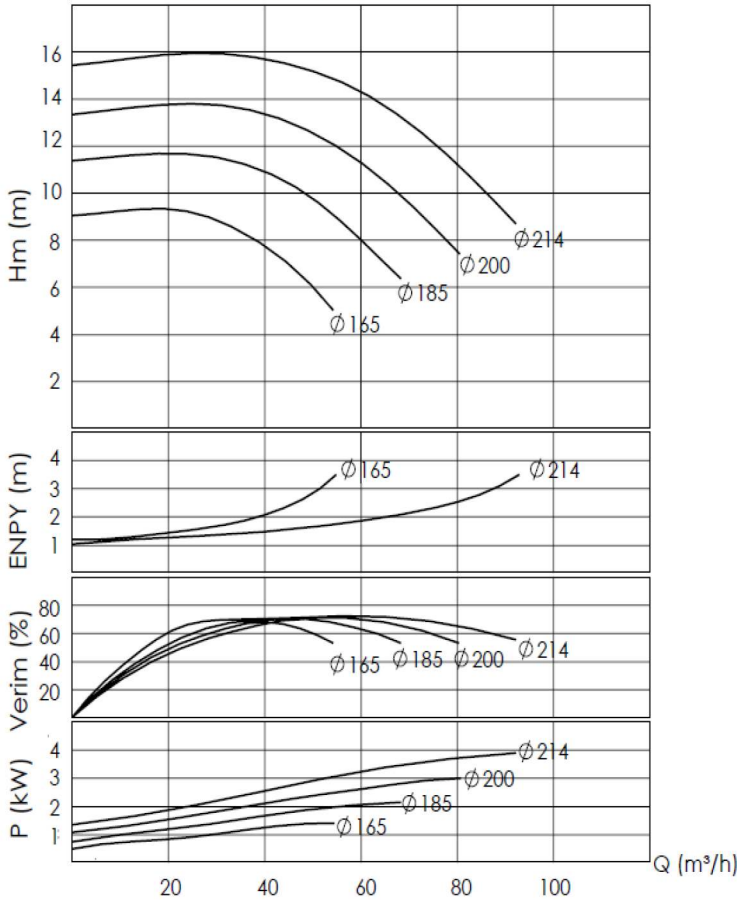


POMPA TİPİ (PUMP TYPE)	MOTOR (ENGINE)		DNe/DNl mm	ÖLÇÜLER (mm) (DIMENSIONS)														ALT TABLA (SUPPORT STAND)	AĞIRLIK (kg) (WEIGHT)
	kw	IEC		A	B	Lm	L	T	H	h1	h2	G	g1	g2	s	K	d		
80-160 (1500 dev/dak)	0,75	80M	80	158	185	244	587	28	425	225	200	280	152	128	255	220	14	T2	70
	1,1	90S		158	185	267	610												72
	1,5	90L		158	185	267	610												74
	2,2	100L		158	185	292	635												81

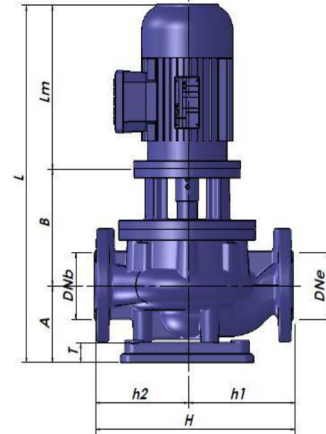
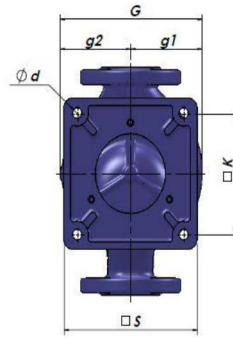
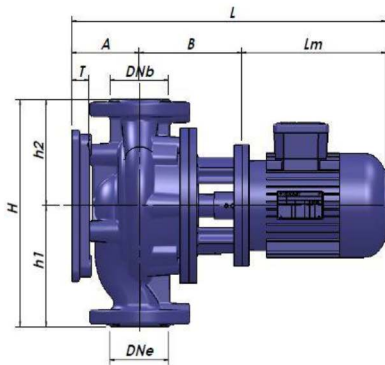
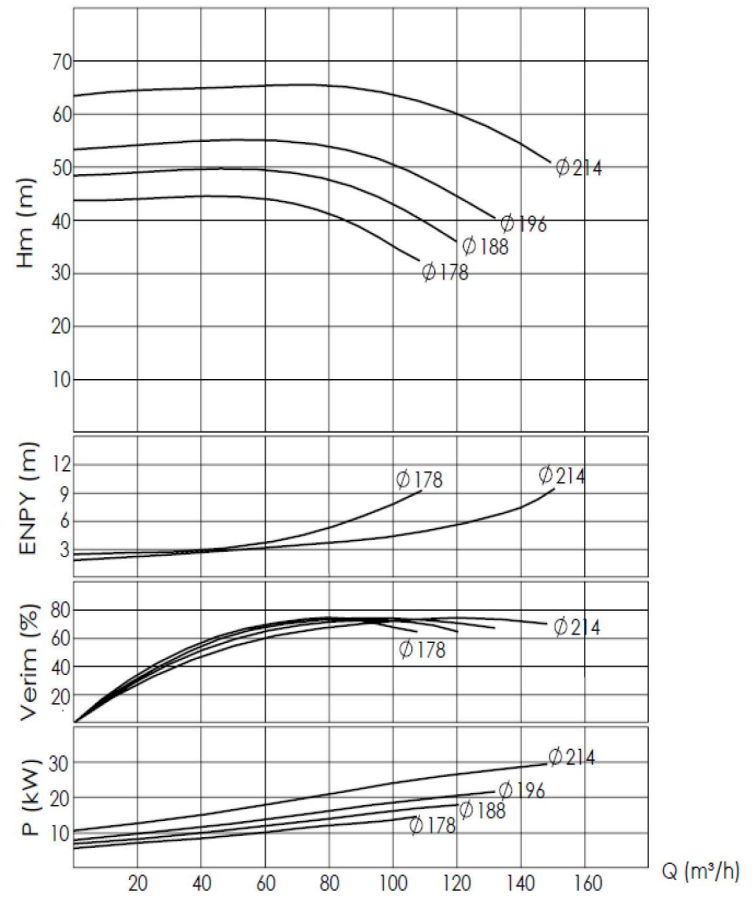
POMPA TİPİ (PUMP TYPE)	MOTOR (ENGINE)		DNe/DNl mm	ÖLÇÜLER (mm) (DIMENSIONS)														ALT TABLA (SUPPORT STAND)	AĞIRLIK (kg) (WEIGHT)
	kw	IEC		A	B	Lm	L	T	H	h1	h2	G	g1	g2	s	K	d		
80-160 (2900 dev/dak)	11	160M	80	158	238	476	872	28	425	225	200	280	152	128	255	220	14	T2	144
	15	160M		158	238	476	872												151
	18,5	160L		158	238	476	872												166

## 80-200

BTKF-I 80-200 (1500 DEV/DK)



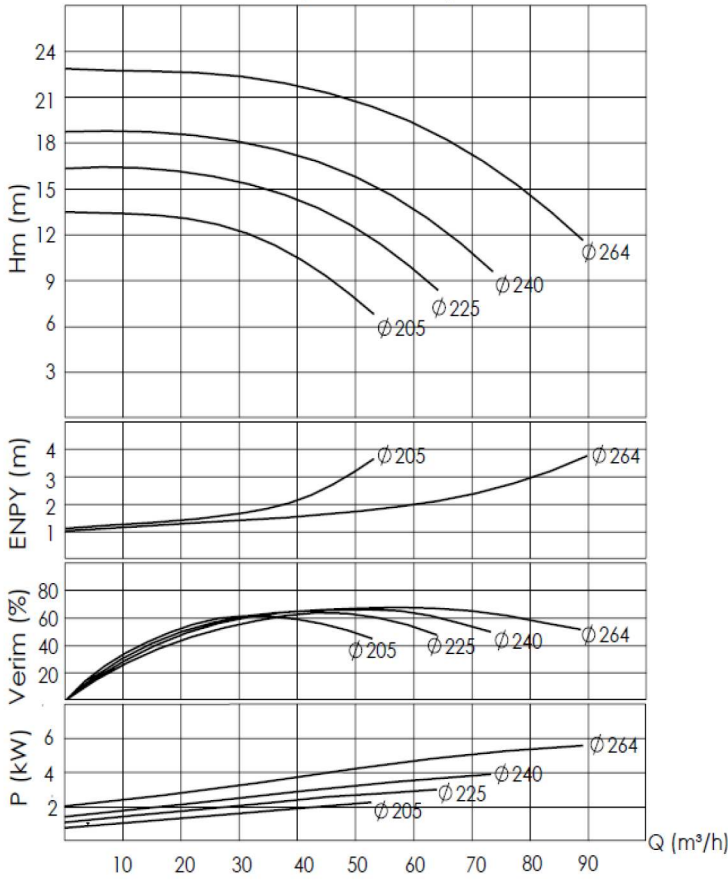
BTKF-I 80-200 (3000 DEV/DK)



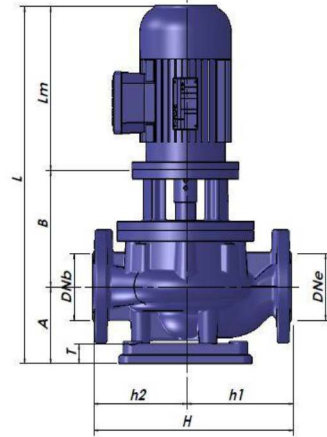
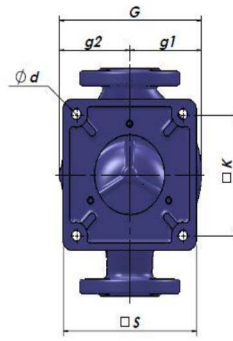
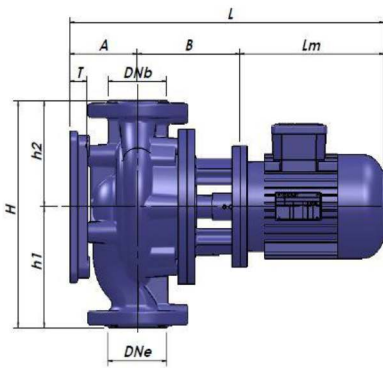
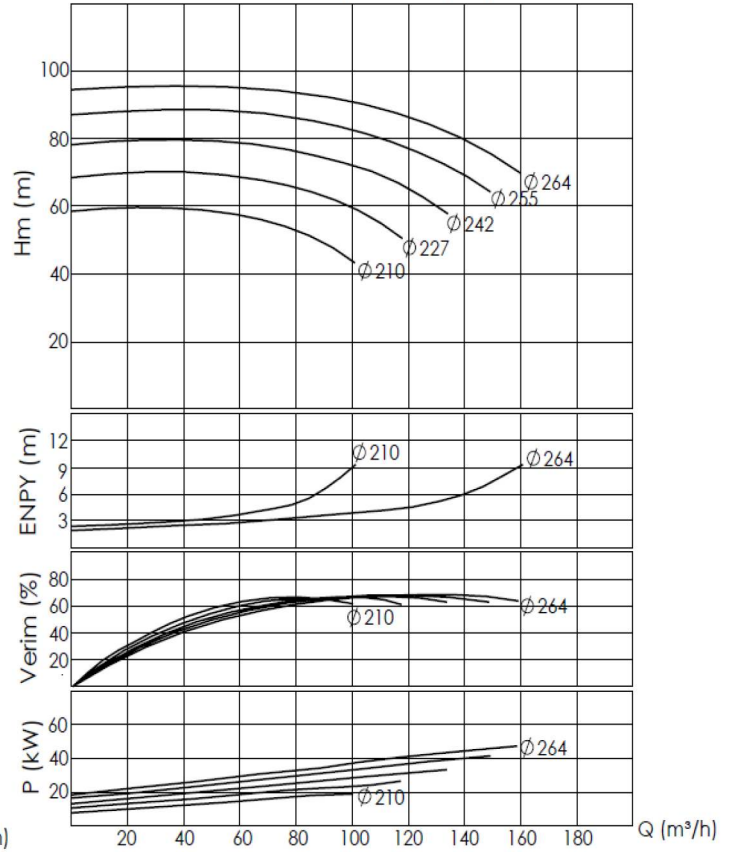
POMPA TİPİ (PUMP TYPE)	MOTOR (ENGINE)		DNe/DNb mm	ÖLÇÜLER (mm) (DIMENSIONS)														ALT TABLA (SUPPORT STAND)	AĞIRLIK (kg) (WEIGHT)
	kw	IEC		A	B	Lm	L	T	H	h1	h2	G	g1	g2	□S	□K	Ød		
80-200 (1500 dev/dak)	1,5	90L	80	158	185	267	610	28	475	250	225	315	170	145	255	220	14	T2	81
	2,2	100L		158	185	292	635												92
	3	100L		158	185	292	635												95
	4	112M		158	185	336	679												102

POMPA TİPİ (PUMP TYPE)	MOTOR (ENGINE)		DNe/DNb mm	ÖLÇÜLER (mm) (DIMENSIONS)														ALT TABLA (SUPPORT STAND)	AĞIRLIK (kg) (WEIGHT)
	kw	IEC		A	B	Lm	L	T	H	h1	h2	G	g1	g2	□S	□K	Ød		
80-200 (2900 dev/dak)	15	160M	80	158	238	476	872	28	475	250	225	315	170	145	255	220	14	T2	158
	18,5	160L		158	238	476	872												173
	22	180M		158	238	519	915												197
	30	200L		158	238	555	951												242

BTKF-I 80-250 (1500 DEV/DK)



BTKF-I 80-250 (3000 DEV/DK)

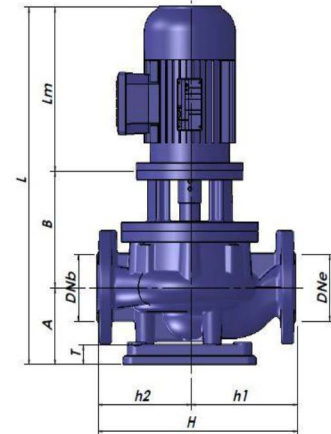
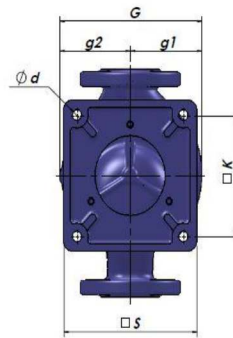
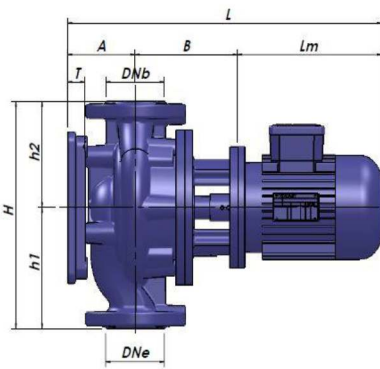
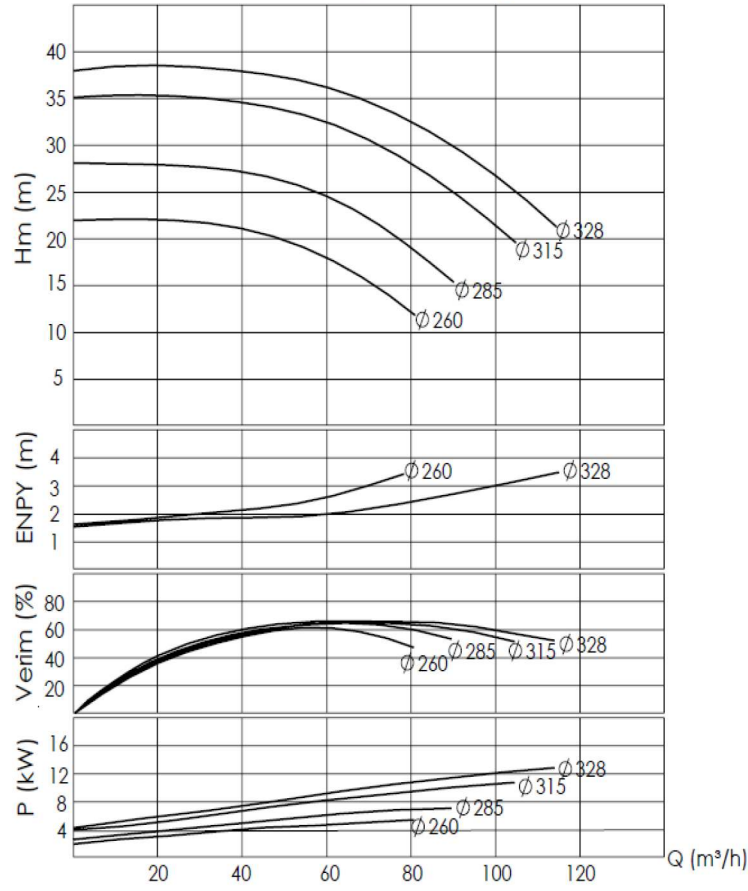


POMPA TİPİ (PUMP TYPE)	MOTOR (ENGINE)		DNe/DNl mm	ÖLÇÜLER (mm) (DIMENSIONS)														ALT TABLA (SUPPORT STAND)	AĞIRLIK (kg) (WEIGHT)
	kw	IEC		A	B	Lm	L	T	H	h1	h2	G	g1	g2	□S	□K	φd		
80-250 (1500 dev/dak)	2,2	100L	80	178	192	292	662	36	560	280	280	379	197	182	315	270	17	T3	116
	3	100L		178	192	292	662												116
	4	112M		178	192	336	706												126
	5,5	132S		178	205	396	779												138

POMPA TİPİ (PUMP TYPE)	MOTOR (ENGINE)		DNe/DNb mm	ÖLÇÜLER (mm) (DIMENSIONS)														ALT TABLA (SUPPORT STAND)	AĞIRLIK (kg) (WEIGHT)
	kw	IEC		A	B	Lm	L	T	H	h1	h2	G	g1	g2	□S	□K	φd		
80-250 (2900 dev/dak)	22	180M	80	178	245	519	942	36	560	280	280	379	197	182	315	270	17	T3	200
	30	200L		178	245	555	978												205
	37	200L		178	245	555	978												229
	45	225M		178	245	625	1048												287
	55	250M		178	275	644	1097												287

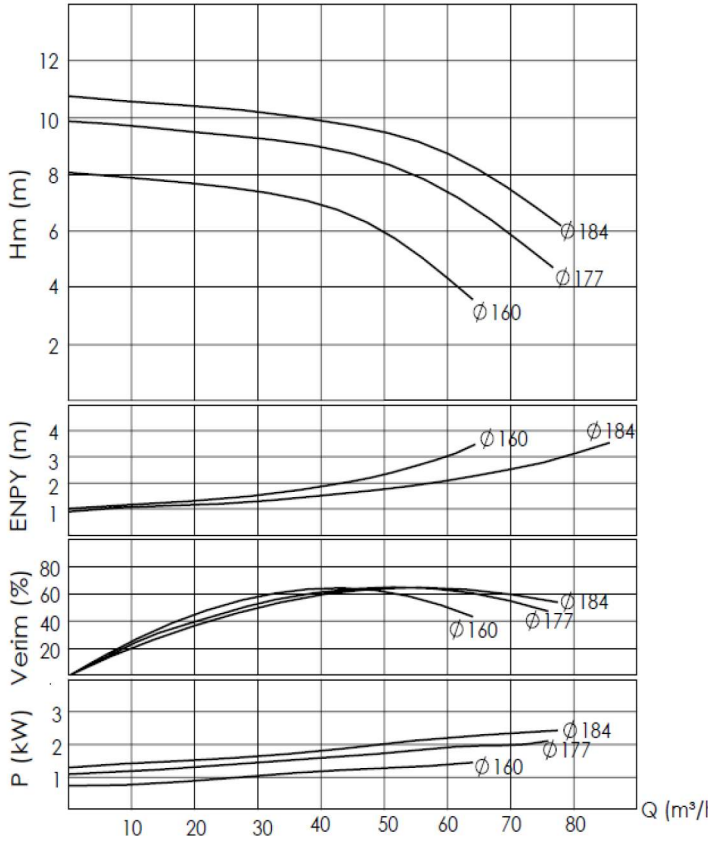


BTKF-I 80-315 (1500 DEV/DK)

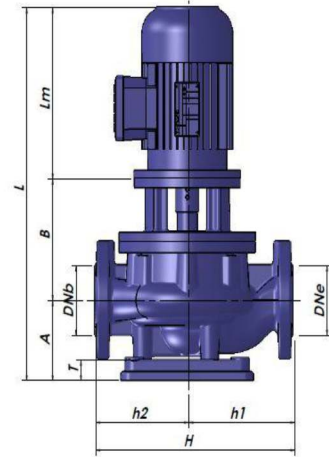
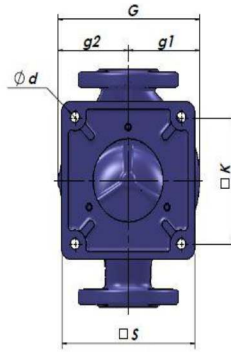
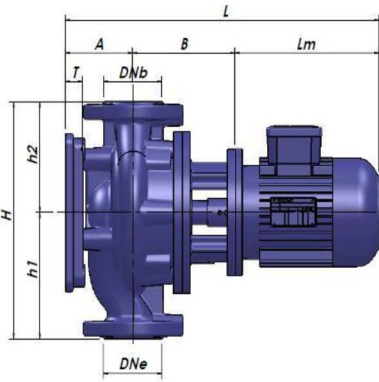
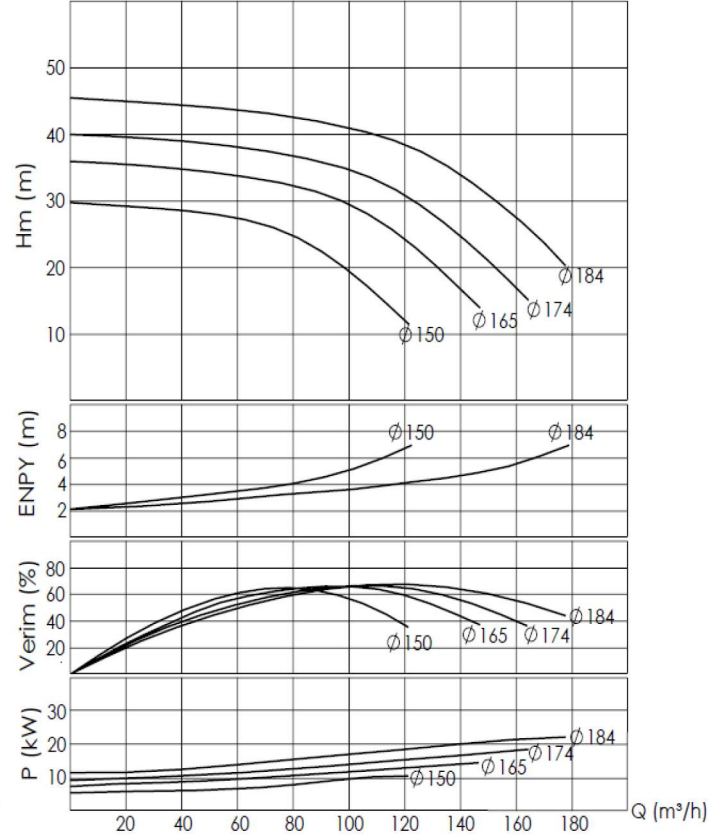


POMPA TİPİ (PUMP TYPE)	MOTOR (ENGINE)		DNe/DNI mm	ÖLÇÜLER (mm) (DIMENSIONS)														ALT TABLA (SUPPORT STAND)	AĞIRLIK (kg) (WEIGHT)
	kw	IEC		A	B	Lm	L	T	H	h1	h2	G	g1	g2	□s	□K	φd		
80-315 (1500 dev/dak)	5,5	132S	80	190	209	396	795	40	595	315	280	425	220	205	395	350	18	T4	167
	7,5	132M		190	209	396	795												188
	11	160M		190	249	476	915												213
	15	160L		190	249	476	915												227

BTKF-I 100-160 (1500 DEV/DK)



BTKF-I 100-160 (3000 DEV/DK)

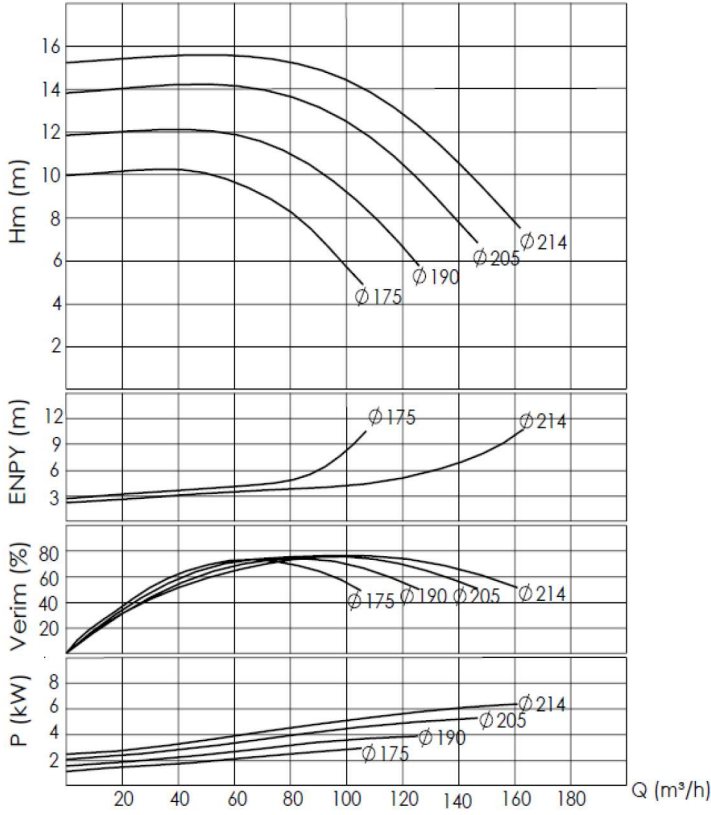


POMPA TİPİ (PUMP TYPE)	MOTOR (ENGINE)		DNe/DNI mm	ÖLÇÜLER (mm) (DIMENSIONS)														ALT TABLA (SUPPORT STAND)	AĞIRLIK (kg) (WEIGHT)
	kw	IEC		A	B	Lm	L	T	H	h1	h2	G	g1	g2	□S	□K	φd		
100-160 (1500 dev/dak)	1,5	90L	100	158	184	267	609	28	475	250	225	292	162	130	255	220	14	T2	84
	2,2	100L		91															
	3	100L		94															

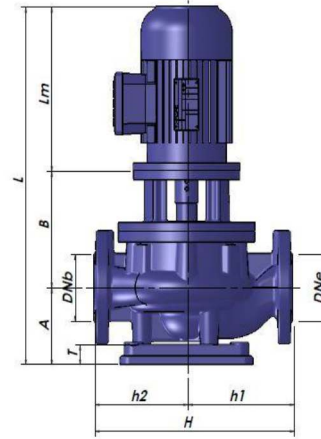
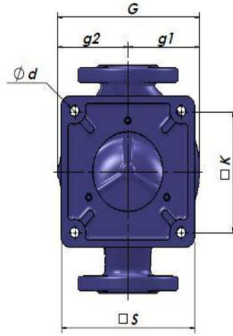
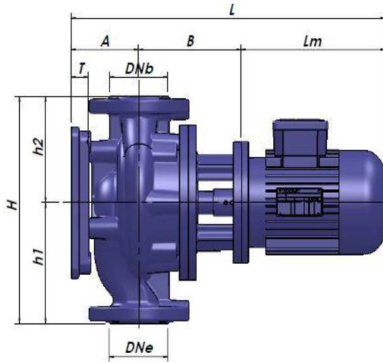
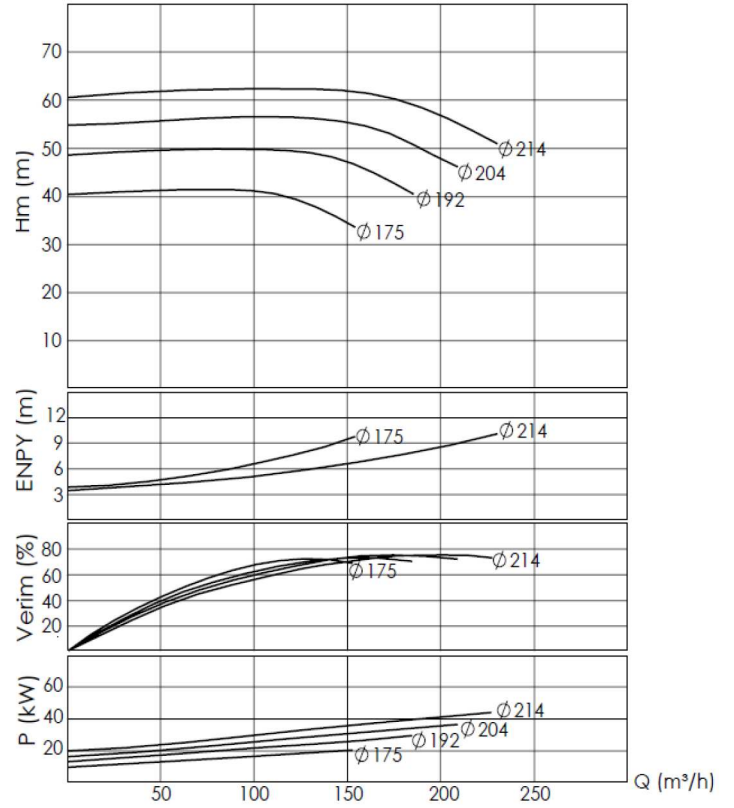
POMPA TİPİ (PUMP TYPE)	MOTOR (ENGINE)		DNe/DNb mm	ÖLÇÜLER (mm) (DIMENSIONS)														ALT TABLA (SUPPORT STAND)	AĞIRLIK (kg) (WEIGHT)
	kw	IEC		A	B	Lm	L	T	H	h1	h2	G	g1	g2	□S	□K	φd		
100-160 (2900 dev/dak)	11	160M	100	158	237	476	871	28	475	250	225	292	162	130	255	220	14	T2	154
	15	160M		161															
	18,5	160L		176															
	22	180M		176															

# 100-200

BTKF-I 100-200 (1500 DEV/DK)



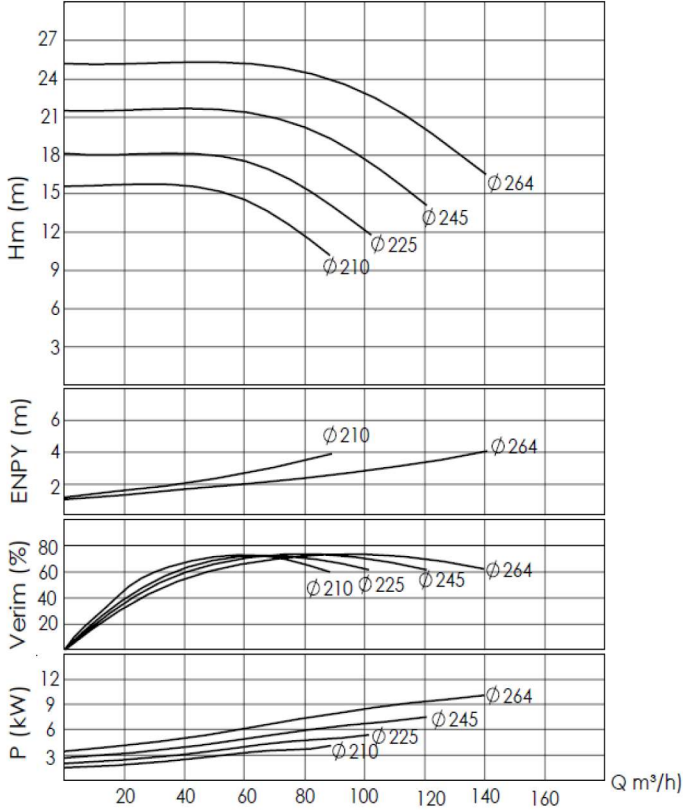
BTKF-I 100-200 (3000 DEV/DK)



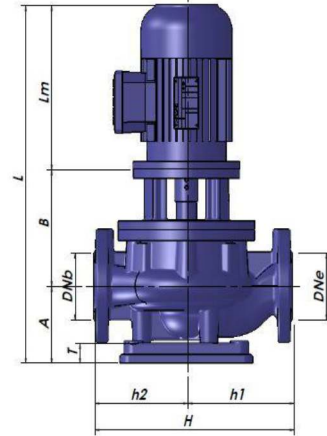
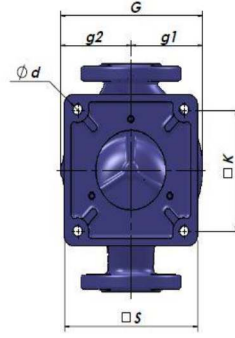
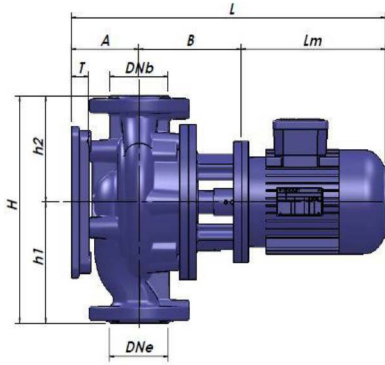
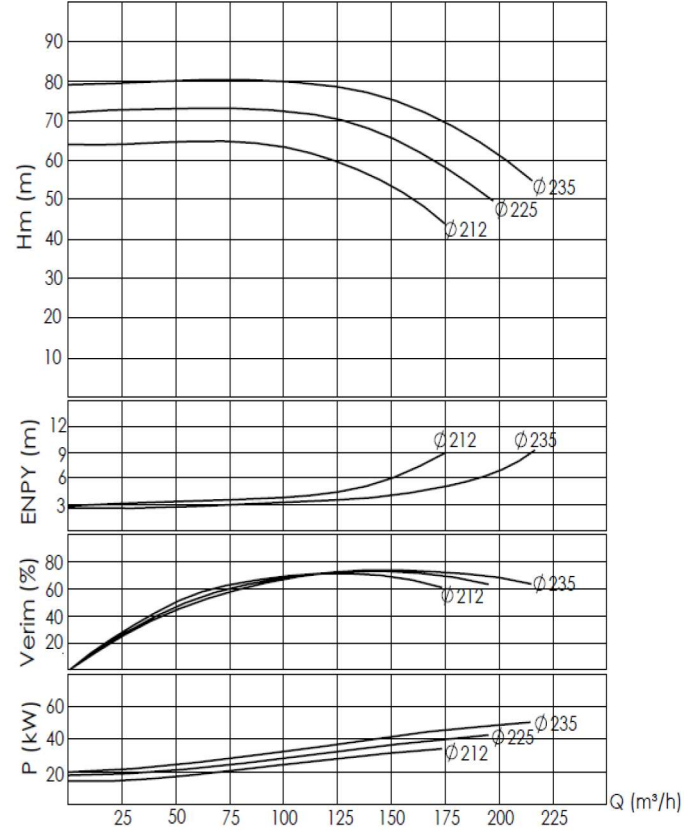
POMPA TİPİ (PUMP TYPE)	MOTOR (ENGINE)		DNe/DNb mm	ÖLÇÜLER (mm) (DIMENSIONS)															ALT TABLA (SUPPORT STAND)	AĞIRLIK (kg) (WEIGHT)
	kw	IEC		A	B	Lm	L	T	H	h1	h2	G	g1	g2	□S	□K	φd			
100-200 (2900 dev/dak)	22	180M	100	197	247	519	963	28	525	275	250	362	192	170	255	220	14	T2	246	
	30	200L		197	247	555	999												300	
	37	200L		197	247	555	999												319	
	45	225M		197	247	625	1069												358	

POMPA TİPİ (PUMP TYPE)	MOTOR (ENGINE)		DNe/DNI mm	ÖLÇÜLER (mm) (DIMENSIONS)															ALT TABLA (SUPPORT STAND)	AĞIRLIK (kg) (WEIGHT)
	kw	IEC		A	B	Lm	L	T	H	h1	h2	G	g1	g2	□S	□K	φd			
100-200 (1500 dev/dak)	3	100L	100	197	194	292	683	28	525	275	250	362	192	170	255	220	14	T2	93	
	4	112M		197	194	336	727												119	
	5,5	132S		197	208	396	801												132	
	7,5	132M		197	208	396	801												132	

BTKF-I 100-250 (1500 DEV/DK)



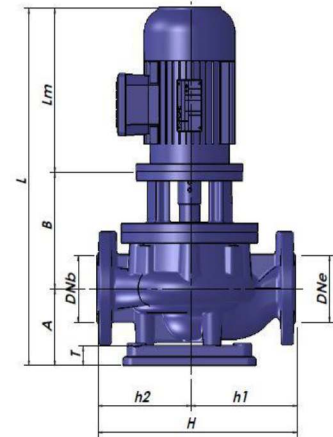
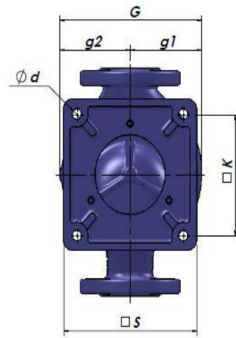
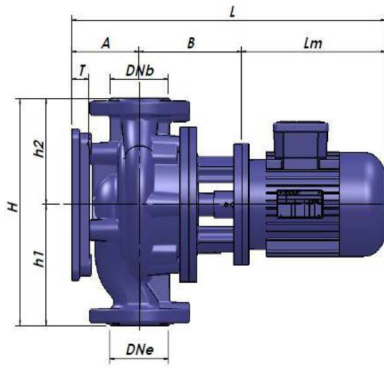
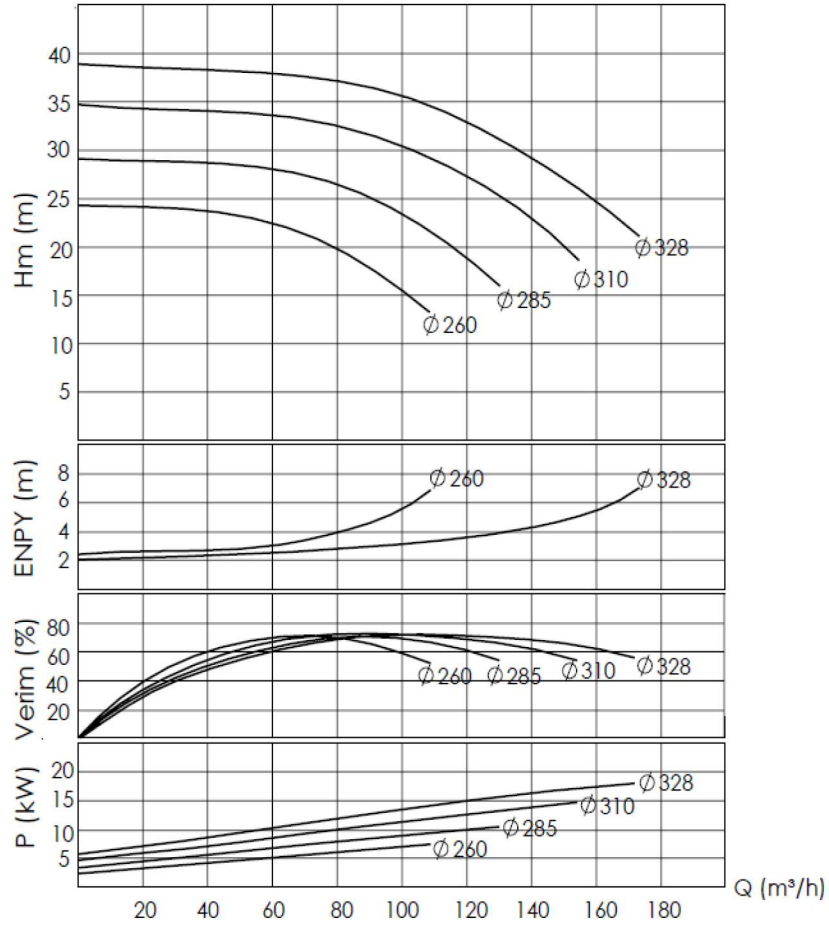
BTKF-I 100-250 (3000 DEV/DK)



POMPA TİPİ (PUMP TYPE)	MOTOR (ENGINE)		DNe/DNI mm	ÖLÇÜLER (mm) (DIMENSIONS)													ALT TABLA (SUPPORT STAND)	AĞIRLIK (kg) (WEIGHT)	
	kw	IEC		A	B	Lm	L	T	H	h1	h2	G	g1	g2	□S	□K			φd
100-250 (1500 dev/dak)	4	112M	100	205	195	336	736	36	580	300	280	384	206	178	315	270	17	T3	139
	5,5	132S		205	208	396	809												151
	7,5	132M		205	208	396	809												172
	11	160M		205	248	476	929												197

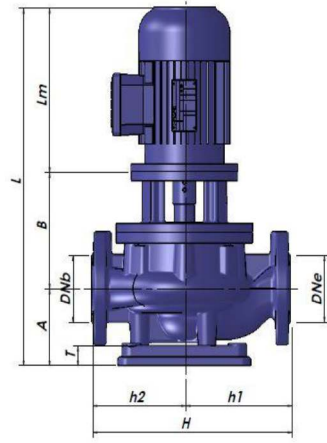
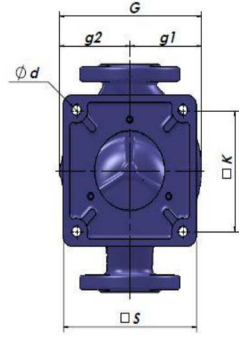
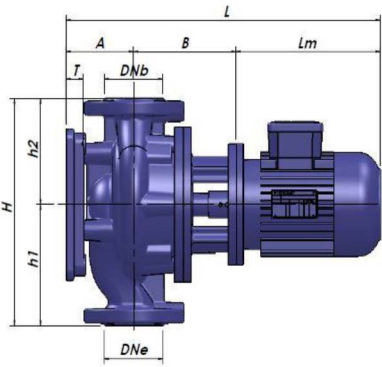
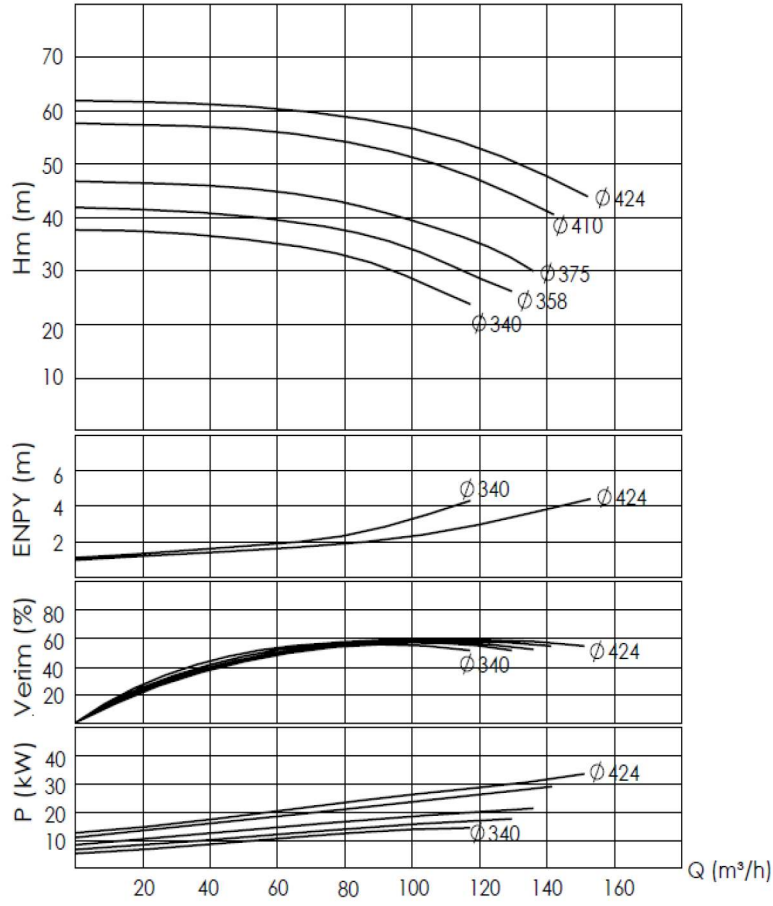
POMPA TİPİ (PUMP TYPE)	MOTOR (ENGINE)		DNe/DNb mm	ÖLÇÜLER (mm) (DIMENSIONS)													ALT TABLA (SUPPORT STAND)	AĞIRLIK (kg) (WEIGHT)	
	kw	IEC		A	B	Lm	L	T	H	h1	h2	G	g1	g2	□S	□K			φd
100-250 (2900 dev/dak)	37	200L	100	205	248	555	1008	36	580	300	280	384	206	178	315	270	17	T3	300
	45	225M		205	248	625	1078												363
	55	250M		205	278	644	1127												402

BTKF-I 100-315 (1500 DEV/DK)



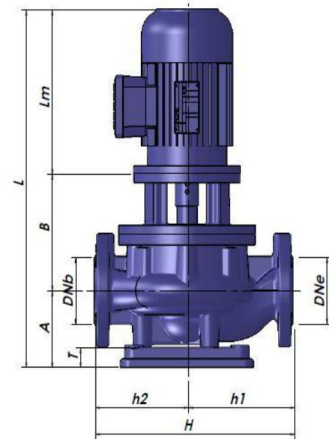
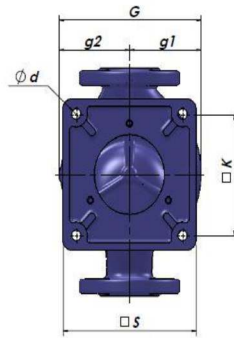
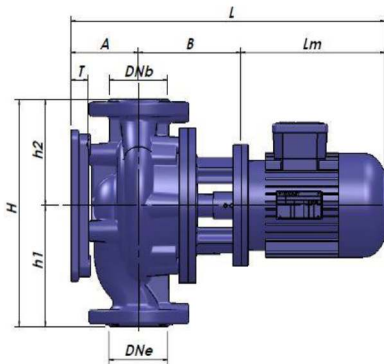
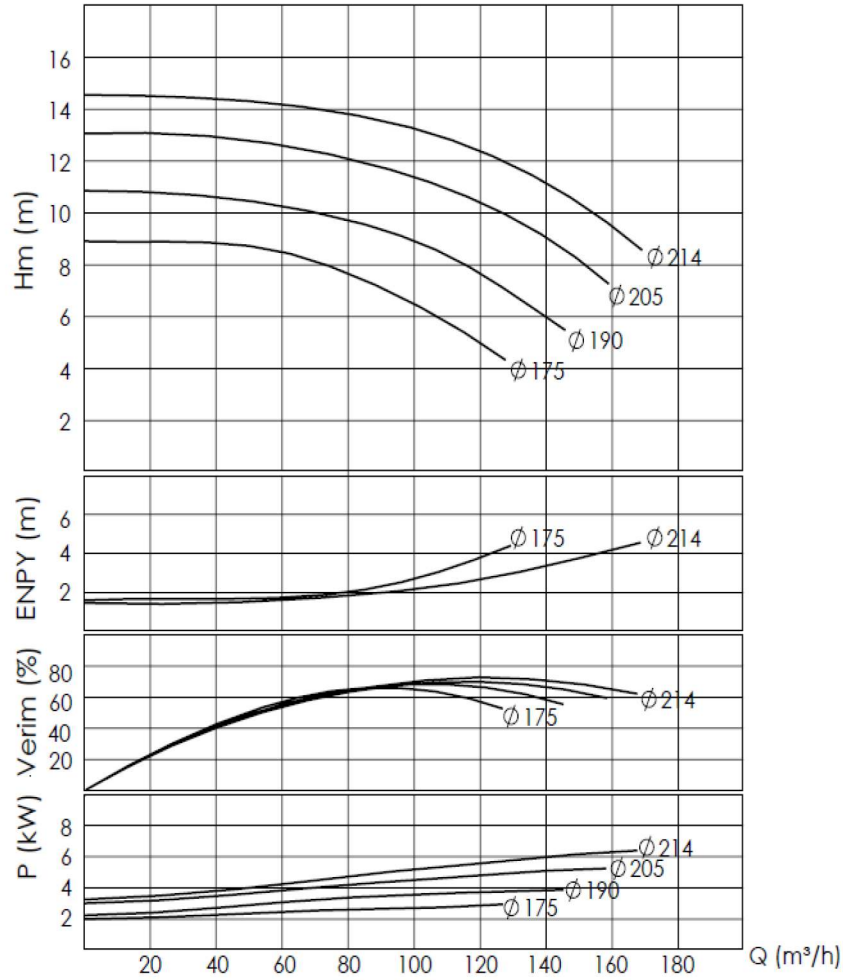
POMPA TİPİ (PUMP TYPE)	MOTOR (ENGINE)		DNe/DNI mm	ÖLÇÜLER (mm) (DIMENSIONS)															ALT TABLA (SUPPORT STAND)	AĞIRLIK (kg) (WEIGHT)
	kw	IEC		A	B	Lm	L	T	H	h1	h2	G	g1	g2	□S	□K	Ød			
100-315 (1500 dev/dak)	7,5	132M	100	199	209	396	804	40	670	355	315	455	240	215	395	350	18	T4	211	
	11	160M		199	249	476	924												236	
	15	160L		199	249	476	924												250	
	18,5	180M		199	249	519	967												280	

BTKF-I 100-400 (1500 DEV/DK)



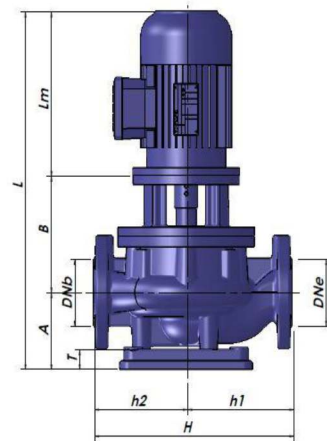
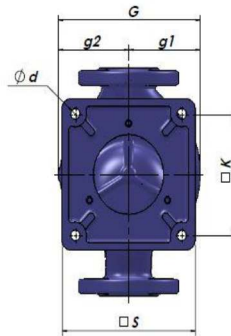
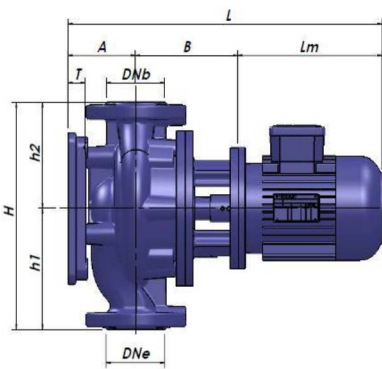
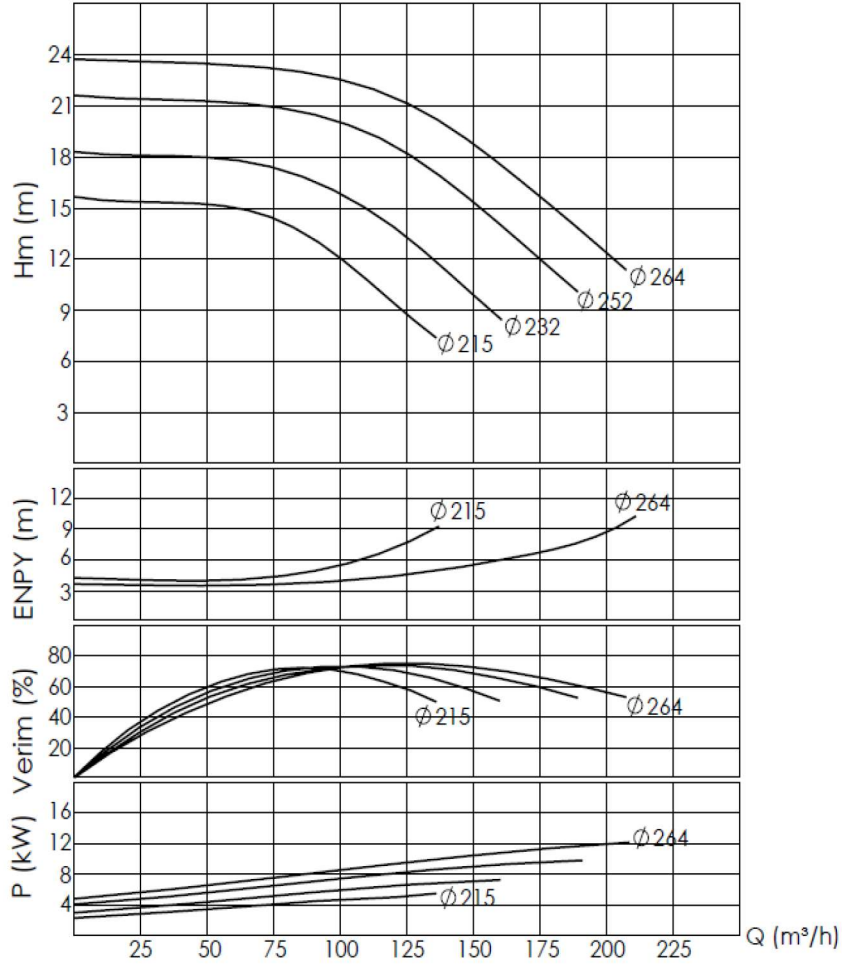
POMPA TİPİ (PUMP TYPE)	MOTOR (ENGINE)		DNe/DNI mm	ÖLÇÜLER (mm) (DIMENSIONS)														ALT TABLA (SUPPORT STAND)	AĞIRLIK (kg) (WEIGHT)
	kw	IEC		A	B	Lm	L	T	H	h1	h2	G	g1	g2	□s	□K	Ød		
100-400 (1500 dev/dak)	15	160L	100	190	257	476	923	40	800	400	400	558	288	270	395	350	18	T4	343
	18,5	180M		190	257	519	966												372
	22	180L		190	257	519	966												380
	30	200L		190	257	555	1002												431
	37	225S		190	287	625	1102												500

BTKF-I 125-200 (1500 DEV/DK)



POMPA TİPİ (PUMP TYPE)	MOTOR (ENGINE)		DNe/DNi mm	ÖLÇÜLER (mm) (DIMENSIONS)														ALT TABLA (SUPPORT STAND)	AĞIRLIK (kg) (WEIGHT)
	kw	IEC		A	B	Lm	L	T	H	h1	h2	G	g1	g2	□S	□K	∅d		
125-200 (1500 dev/dak)	3	100L	125	220	219	292	731	40	560	280	280	390	208	182	395	350	18	T4	148
	4	112M		220	219	336	775												155
	5,5	132S		220	232	396	848												167
	7,5	132M		220	232	396	848												188

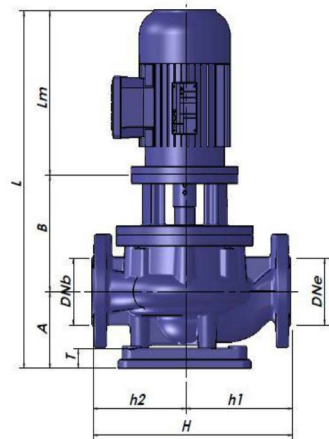
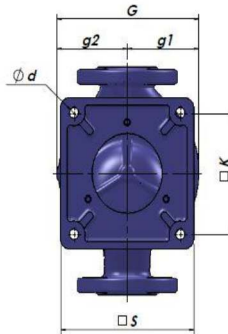
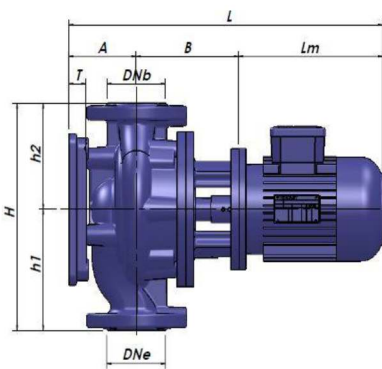
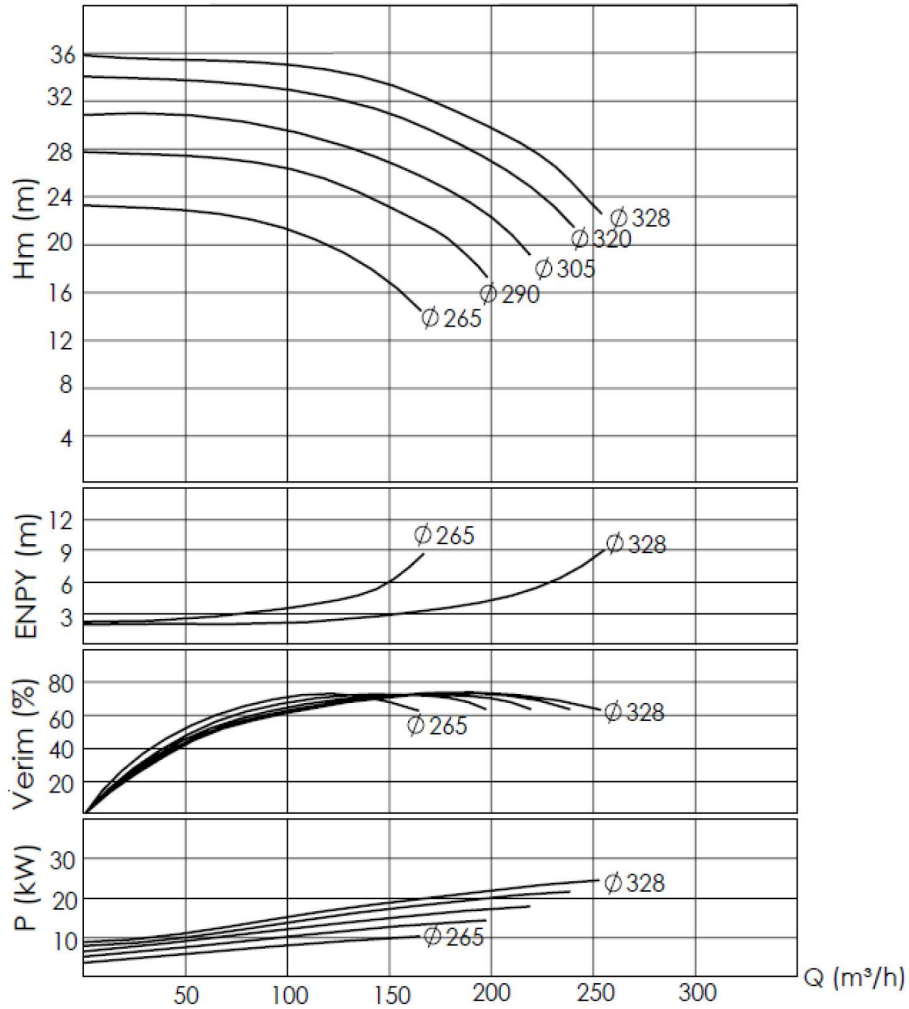
BTKF-I 125-250 (1500 DEV/DK)



POMPA TİPİ (PUMP TYPE)	MOTOR (ENGINE)		DNe/DNI mm	ÖLÇÜLER (mm) (DIMENSIONS)														ALT TABLA (SUPPORT STAND)	AĞIRLIK (kg) (WEIGHT)
	kw	IEC		A	B	Lm	L	T	H	h1	h2	G	g1	g2	□S	□K	Ød		
125-250 (1500 dev/dak)	5,5	132S	125	220	232	396	848	40	630	315	315	413	218	195	395	350	18	T4	175
	7,5	132M		220	232	396	848												196
	11	160M		220	272	476	968												221
	15	160L		220	272	476	968												235

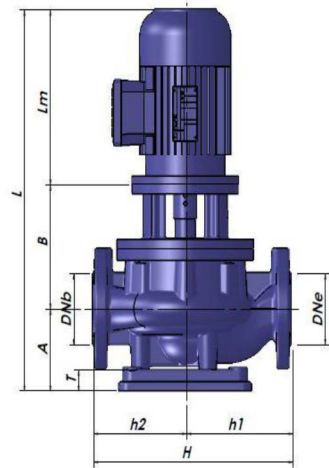
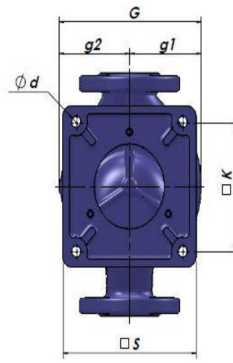
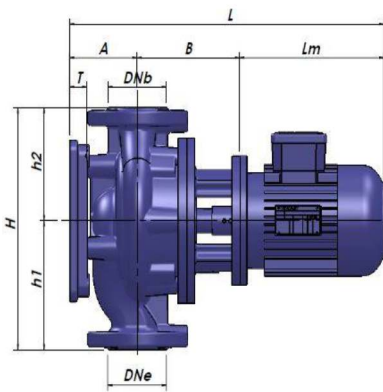
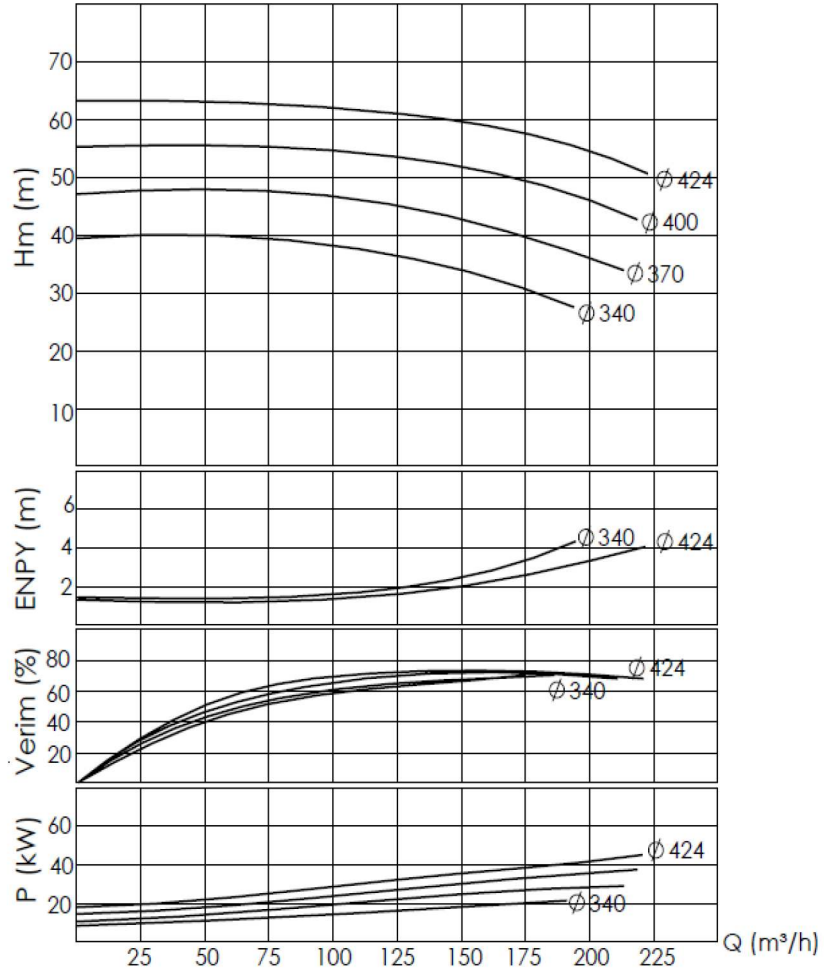


BTKF-I 125-315 (1500 DEV/DK)



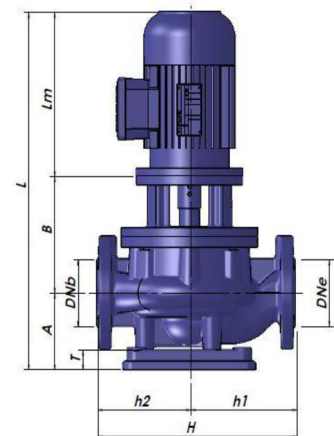
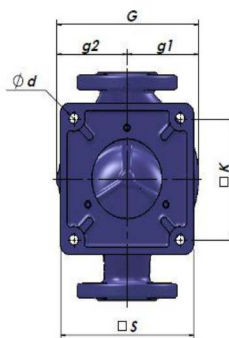
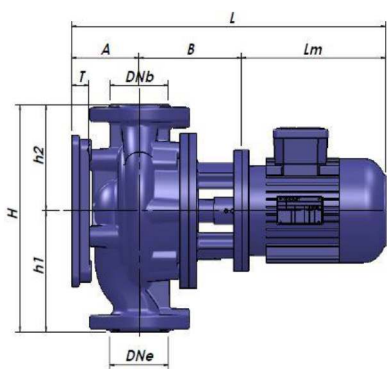
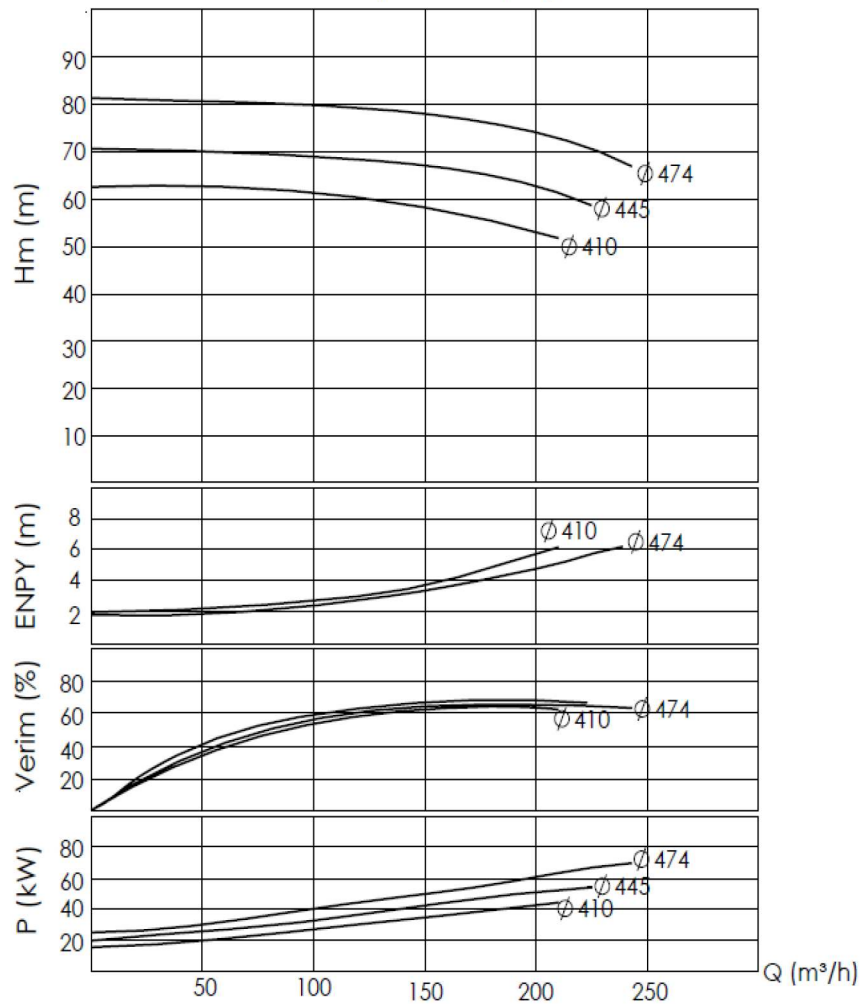
POMPA TİPİ (PUMP TYPE)	MOTOR (ENGINE)		DNe/DNI mm	ÖLÇÜLER (mm) (DIMENSIONS)														ALT TABLA (SUPPORT STAND)	AĞIRLIK (kg) (WEIGHT)
	kw	IEC		A	B	Lm	L	T	H	h1	h2	G	g1	g2	□S	□K	Ød		
125-315 (1500 dev/dak)	11	160M	125	197	275	476	948		710	355	355	488	258	230	395	350	18	T4	259
	15	160L		197	275	476	948												273
	18,5	180M		197	275	519	991												303
	22	180L		197	275	519	991												311
	30	200L		197	275	555	1027												330

BTKF-I 125-400 (1500 DEV/DK)

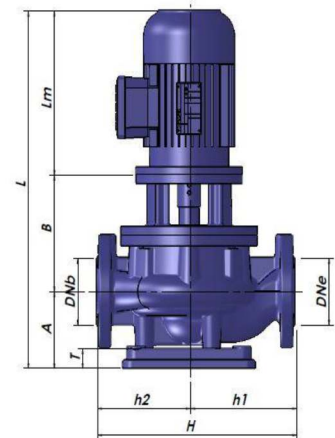
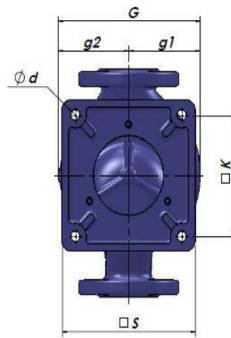
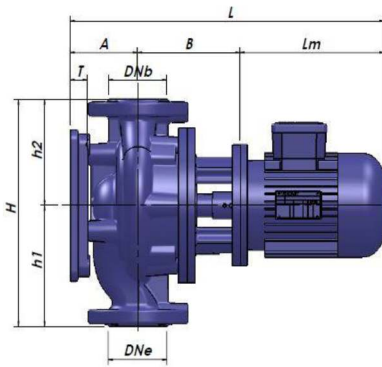
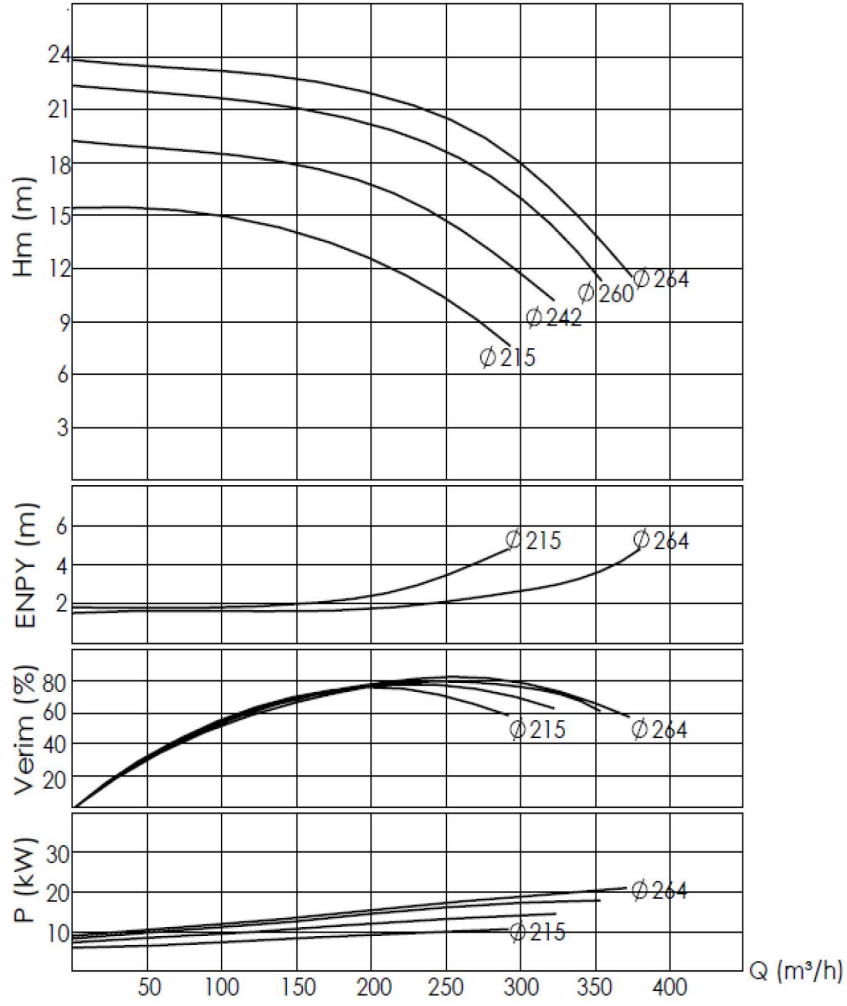


POMPA TİPİ (PUMP TYPE)	MOTOR (ENGINE)		DNe/DNI mm	ÖLÇÜLER (mm) (DIMENSIONS)														ALT TABLA (SUPPORT STAND)	AĞIRLIK (kg) (WEIGHT)
	kw	IEC		A	B	Lm	L	T	H	h1	h2	G	g1	g2	$\square s$	$\square K$	$\phi d$		
125-400 (1500 dev/dak)	22	180L	125	197	285	519	1001		800	400	400	562	292	270	395	350	18	T4	392
	30	200L		197	285	555	1037												443
	37	225S		197	315	625	1137												512
	45	225M		197	315	625	1137												549

BTKF-I 125-450 (1500 DEV/DK)

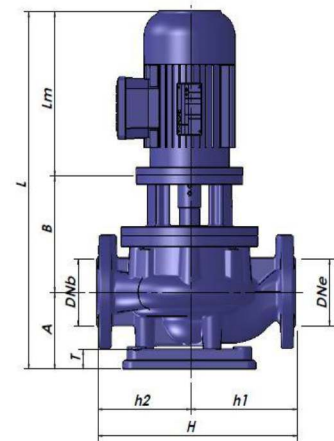
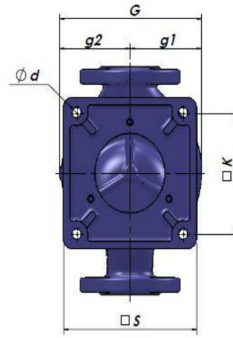
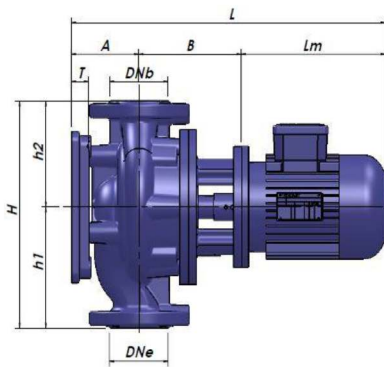
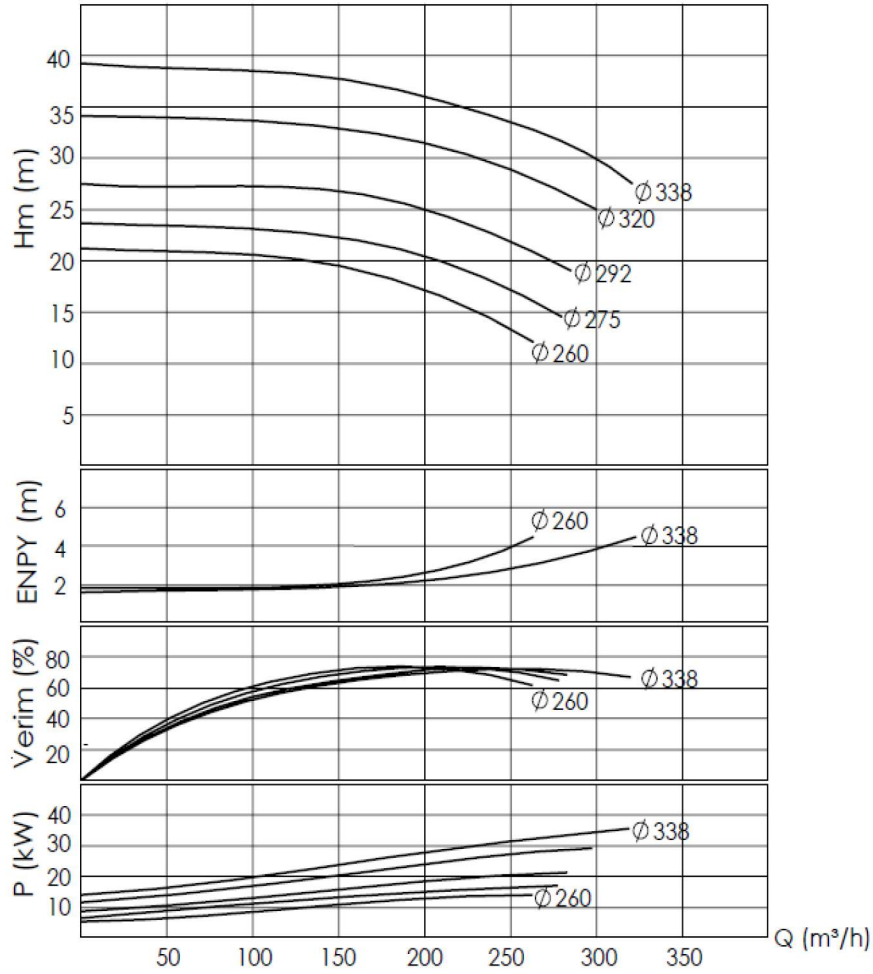


BTKF-I 150-250 (1500 DEV/DK)



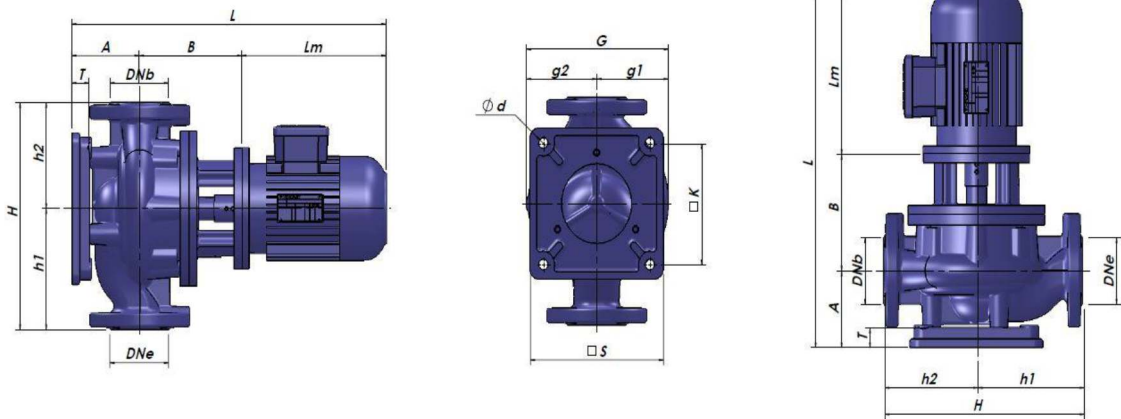
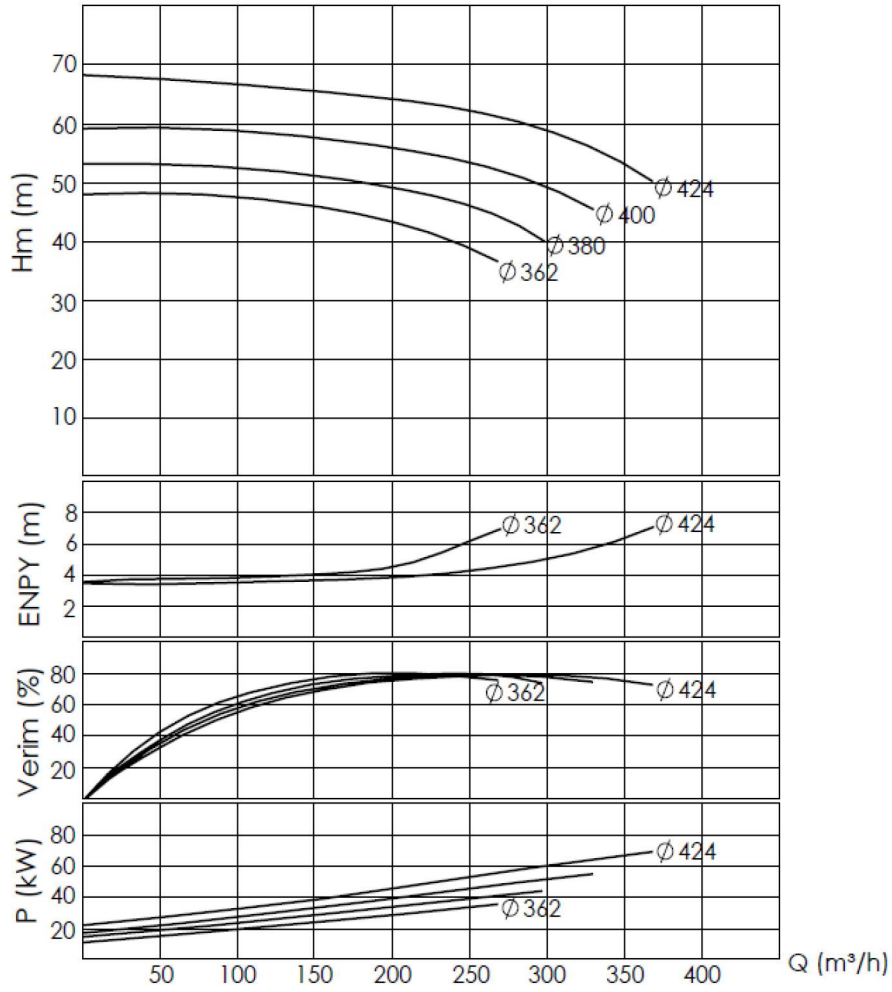
POMPA TİPİ (PUMP TYPE)	MOTOR (ENGINE)		DNe/DNI mm	ÖLÇÜLER (mm) (DIMENSIONS)														ALT TABLA (SUPPORT STAND)	AĞIRLIK (kg) (WEIGHT)
	kw	IEC		A	B	Lm	L	T	H	h1	h2	G	g1	g2	□S	□K	Ød		
150-250 (1500 dev/dak)	11	160M	150	226	296	476	998	42	710	355	355	474	254	220	440	380	23	T5	274
	15	160L		226	296	476	998												288
	18,5	180M		226	296	519	1041												317
	22	180L		226	296	519	1041												325

BTKF-I 150-315 (1500 DEV/DK)



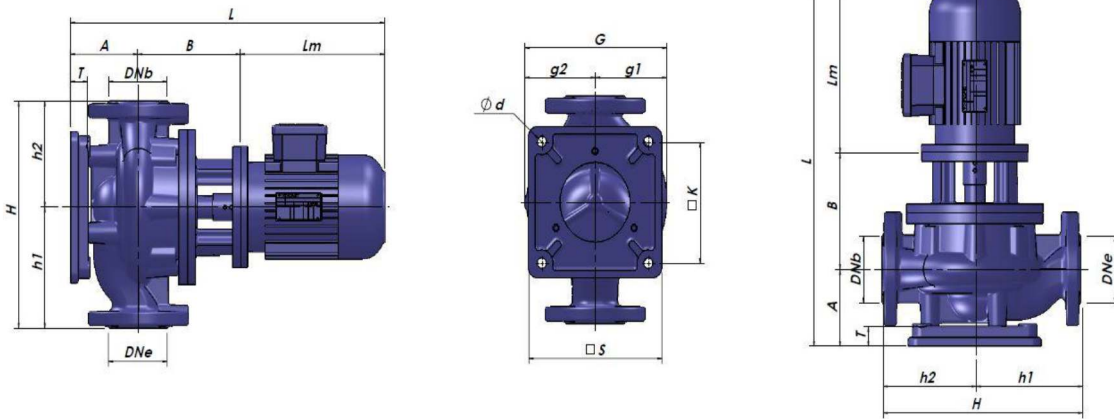
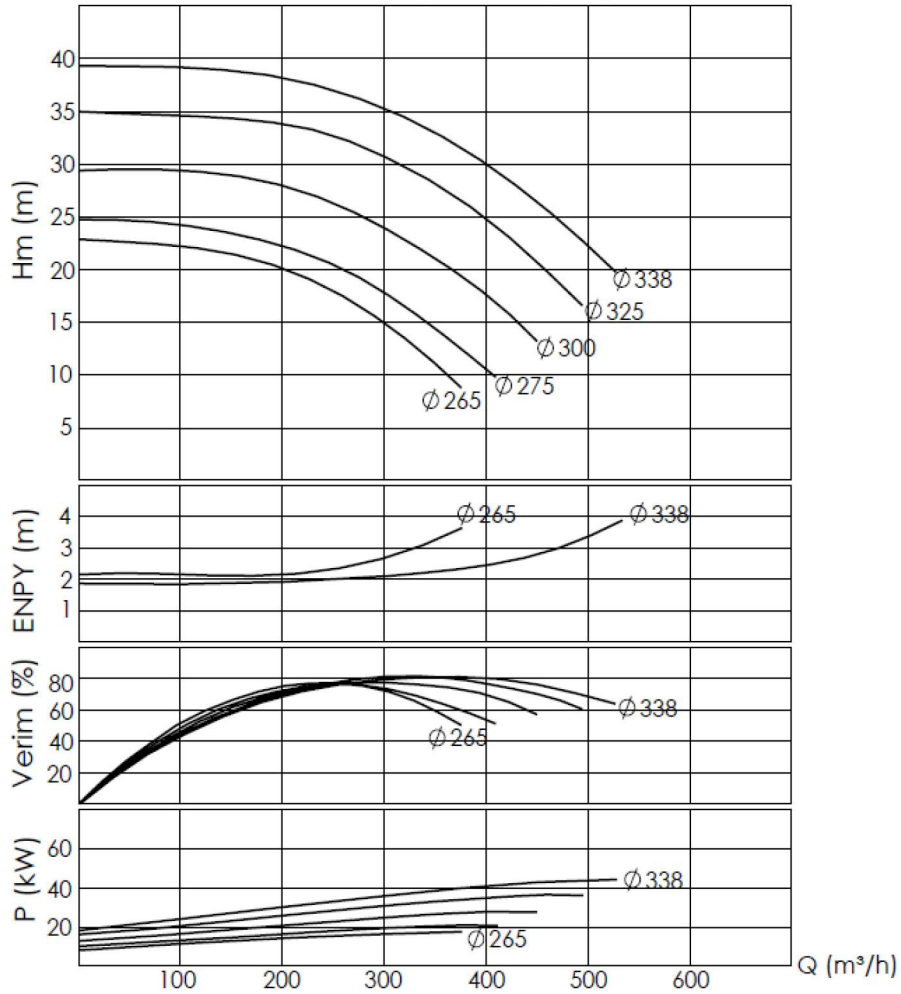
POMPA TİPİ (PUMP TYPE)	MOTOR (ENGINE)		DNe/DNI mm	ÖLÇÜLER (mm) (DIMENSIONS)														ALT TABLA (SUPPORT STAND)	AĞIRLIK (kg) (WEIGHT)
	kw	IEC		A	B	Lm	L	T	H	h1	h2	G	g1	g2	□S	□K	Ød		
150-315 (1500 dev/dak)	15	160L	150	222	317	476	1015	42	710	355	355	548	290	258	440	380	23	T5	365
	18,5	180M		222	317	519	1058												394
	22	180L		222	317	519	1058												402
	30	200L		222	317	555	1094												453
	37	225S		222	347	625	1194												523

BTKF-I 150-400 (1500 DEV/DK)



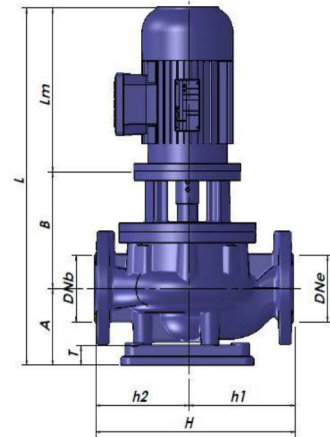
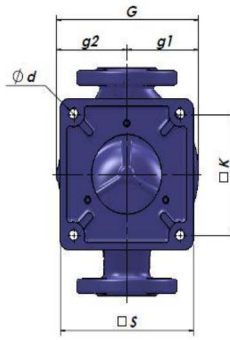
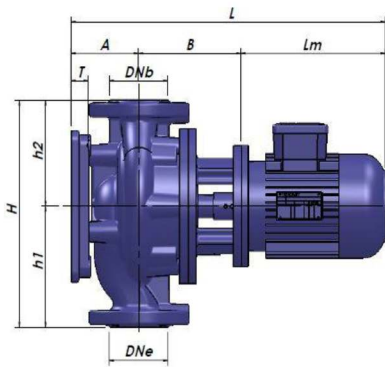
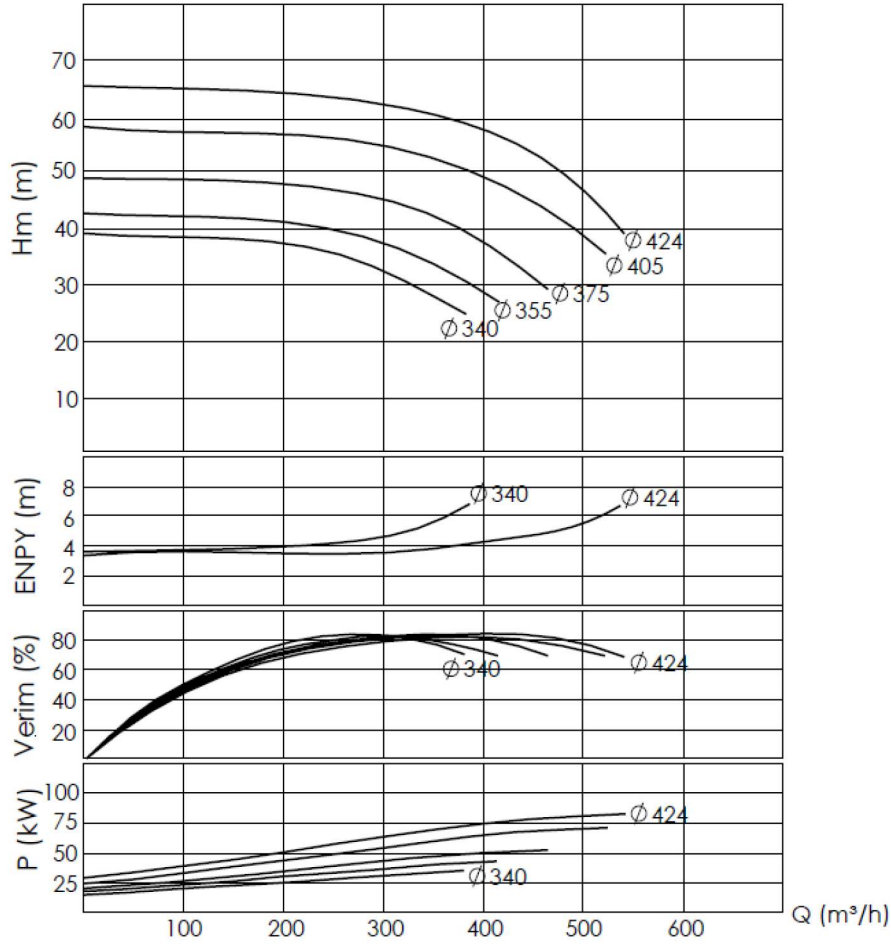
POMPA TİPİ (PUMP TYPE)	MOTOR (ENGINE)		DNe/DNI mm	ÖLÇÜLER (mm) (DIMENSIONS)														ALT TABLA (SUPPORT STAND)	AĞIRLIK (kg) (WEIGHT)
	kw	IEC		A	B	Lm	L	T	H	h1	h2	G	g1	g2	□S	□K	φd		
150-400 (1500 dev/dak)	37	225S	150	222	347	625	1194	42	800	400	400	604	314	290	440	380	23	T5	574
	45	225M		222	347	625	1194												611
	55	250M		222	347	745	1314												631
	75	280M		222	347	885	1454												975

BTKF-I 200-315 (1500 DEV/DK)



POMPA TİPİ (PUMP TYPE)	MOTOR (ENGINE)		DNe/DNI mm	ÖLÇÜLER (mm) (DIMENSIONS)														ALT TABLA (SUPPORT STAND)	AĞIRLIK (kg) (WEIGHT)
	kw	IEC		A	B	Lm	L	T	H	h1	h2	G	g1	g2	□s	□K	Ød		
200-315 (1500 dev/dak)	18,5	180M	200	242	358	519	1119	42	800	450	350	547	295	252	440	380	23	T5	444
	22	180L		242	358	519	1119												452
	30	200L		242	358	555	1155												503
	37	225S		242	387	625	1254												573
	45	225M		242	387	625	1254												610

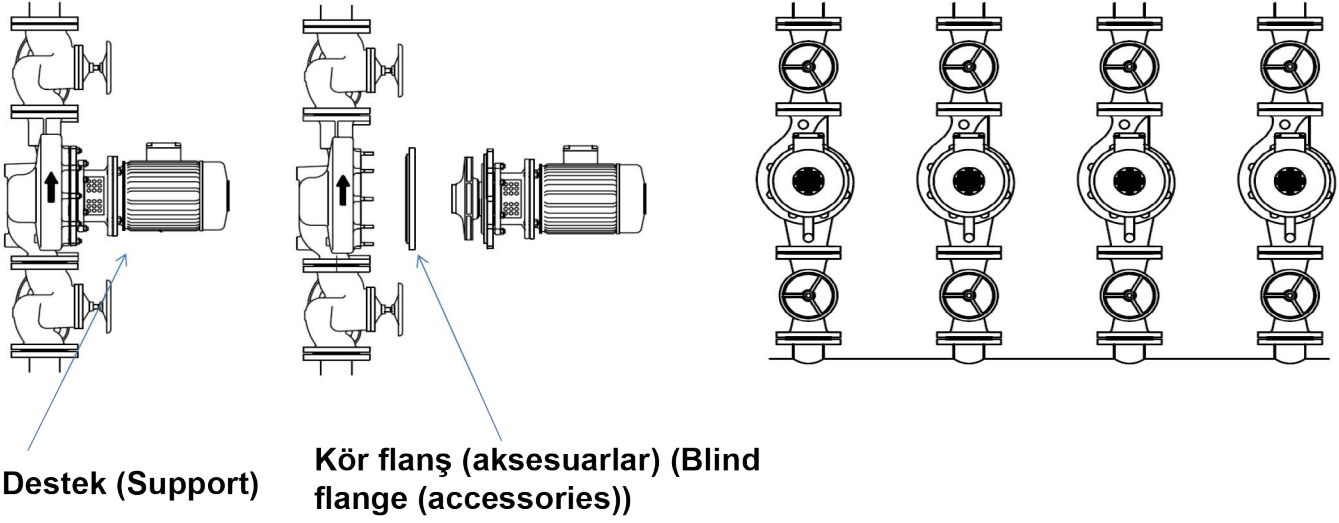
BTKF-I 200-400 (1500 DEV/DK)



POMPA TİPİ (PUMP TYPE)	MOTOR (ENGINE)		DNe/DNI mm	ÖLÇÜLER (mm) (DIMENSIONS)														ALT TABLA (SUPPORT STAND)	AĞIRLIK (kg) (WEIGHT)
	kw	IEC		A	B	Lm	L	T	H	h1	h2	G	g1	g2	□s	□K	∅d		
200-400 (1500 dev/dak)	37	225S	200	242	387	625	1254	42	900	500	400	618	328	290	440	380	23	T5	623
	45	225M		242	387	625	1254												660
	55	250M		242	387	745	1374												900
	75	280M		242	387	885	1514												1024
	90	280M		242	387	885	1514												1060

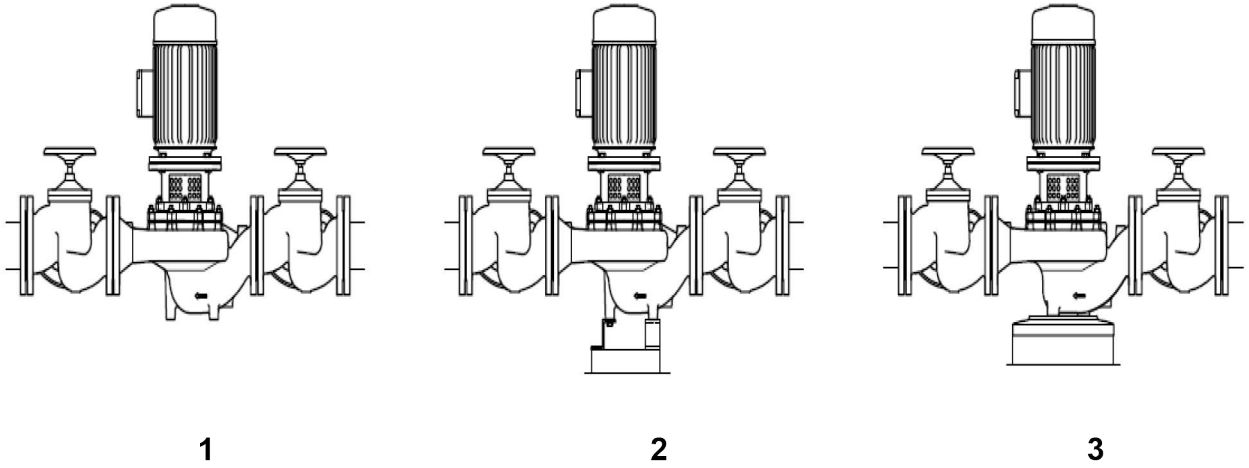


## MONTAJ (INSTALLATION)



BTKF-I pompa setleri üzerinde; gövde büyüklüğü 180 ve üzeri motorlar ilave destekle desteklenmesi gerekir. Motor gövdesi üzerinde bu amaç için kullanılan ayak sabitleme delikleri olabilir.

(Motors of size 180 and above on BTKF-I pump sets with horizontal motor axis need to be adequately supported. The foot fastening holes on the motor housing can be used for this purpose.)



1 → BTKF-I pompa boyutları 32-160 / 100-125 ... için / ... ayaksız tutturulmuş.

BTKF-I pump sizes 32-160/... to 100-125/... fastened without feet.)

2 → BTKF-I serisi boyutları 32-160 / 100-160 arasında olan seriler için kullanılır. Üç ayak ile tutturulmuş ayaklar.

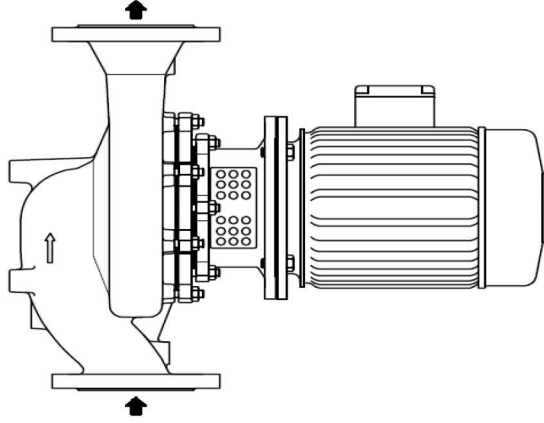
BTKF-I pump sizes 32-160/... to 100-160/... are fastened by means of three angle feet.)

3 → BTKF-I serisi boyutları 100-200/ 200-315 .sında olan seriler için kullanılır. EN-GJL ' den dökülen malzeme ile ayak tutturulur.

BTKF-I pump sizes 100-200/... to 200-315/... are fastened by means of a pump foot made of EN-GJL.)

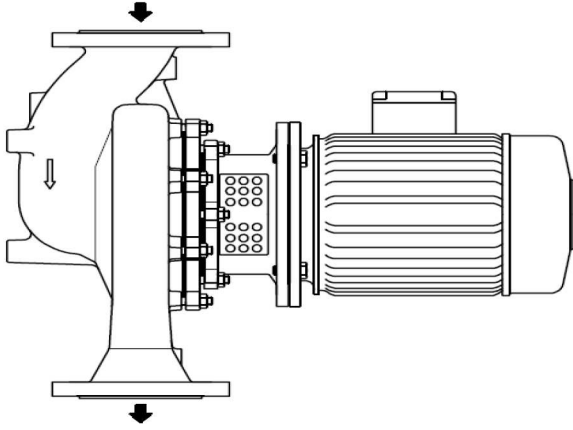
## YATAY-DİKEY MONTAJ (HORIZONTAL-VERTICAL INSTALLATION)

Yatay montaj (Horizontal installation)



Yatay montaj; akış yönü aşağıdan yukarıya olan durumlarda klemens kutusu yukarıda kalacak şekilde 180 ° döndürülür.

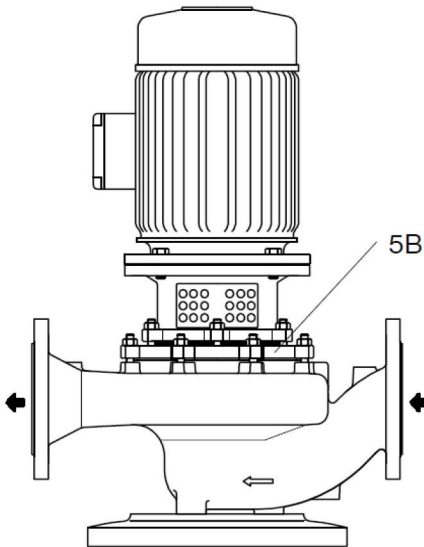
(Horizontal installation, direction of flow from top to bottom. The pump casing/back pull-out unit must be turned by 180° so that the terminal box remains in its current position on the top.)



Pompa istenen yöne doğru montaj edilebilir. Sadece motor aşağı gelecek şekilde montaj edilmez.

(The pumps can be directly installed in the piping in any position, but not with the motor pointing downwards.)

Dikey montaj (Vertical installation)

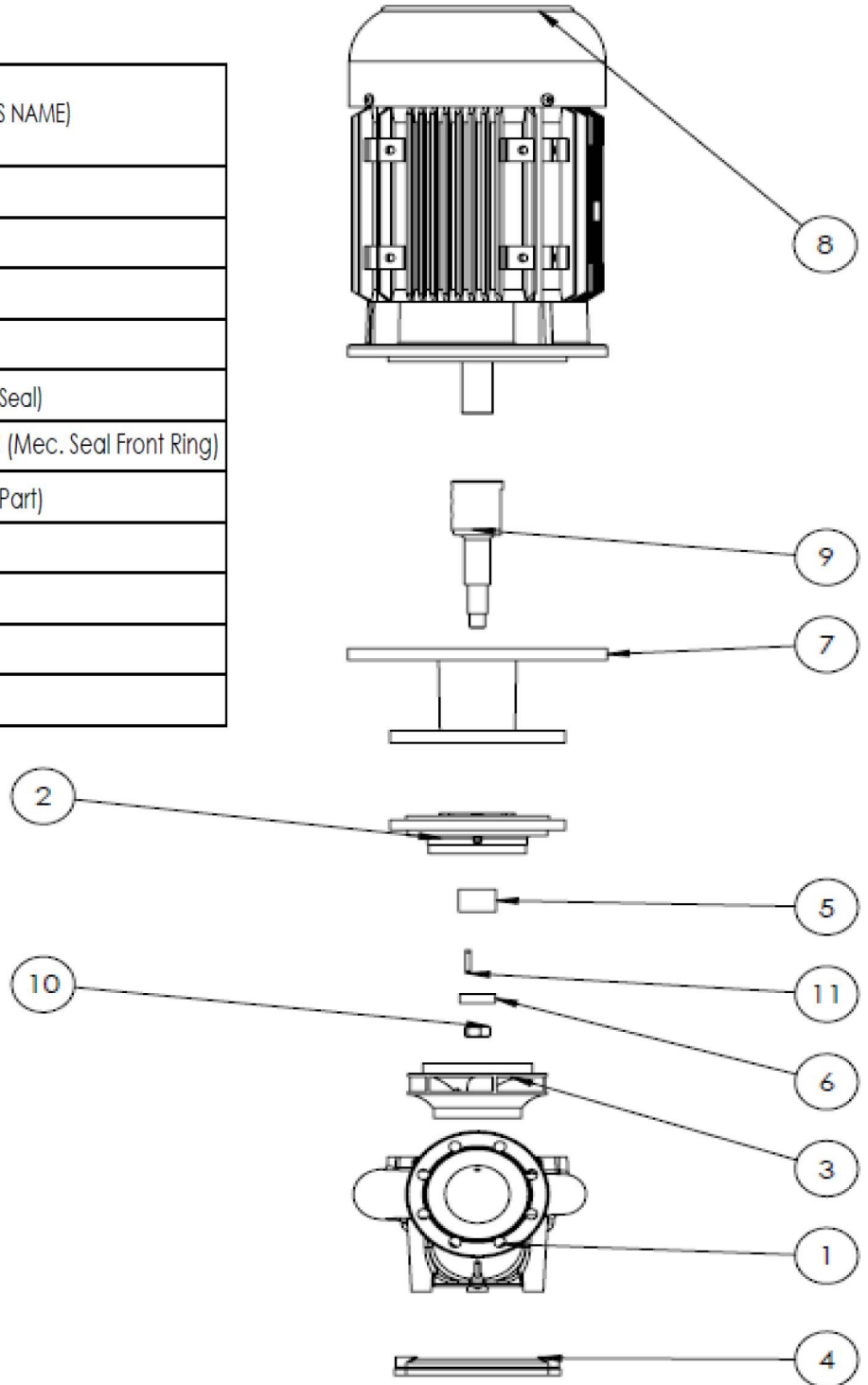


Pompa seti dikey montaj edilmişse mekanik salmastranın kuru çalışmasını önlemek amacıyla, pompa hava tahliye valfi 5B kullanılarak havası alınmalıdır.

(If the pump set is installed vertically, the pump must be vented through vent valve 5B so as to avoid dry running of the mechanical seal.)

## PATLATILMIŞ GÖRÜNÜM (EXPLODED VIEW)

PARÇA NO (PART NO)	PARÇA İSİMLERİ (PARTS NAME)
1	Salyangoz ( Volute )
2	Salmastra Kutusu (Seal box)
3	Çark (Impeller)
4	Alt Tabla (Support Stand)
5	Mekanik Salmastra (Mechanical Seal)
6	Mekanik Salmastra Ayar Burcu (Mec. Seal Front Ring)
7	Ara Parça(Motor Connection Part)
8	Motor (Motor)
9	Mil (Shaft)
10	Somun (Plug)
11	Kama (Wedge)



## Fluid Solutions

**BTS**  
ENGINEERING

<https://prom-nasos.pro>

<https://bts.net.ua>

<https://prom-nasos.com.ua>

+38 095 656-37-57,

+38 067 360-71-01,

+38 063 362-12-31,

info@prom-nasos.pro