

50Hz



CD Centrifugal Pump



2CD Centrifugal Pump

**BTS**  
ENGINEERING

<https://prom-nasos.pro>  
<https://bts.net.ua>  
<https://prom-nasos.com.ua>

+38 095 656-37-57,  
+38 067 360-71-01,  
+38 063 362-12-31,  
info@prom-nasos.pro

<https://bts.net.ua>



## CD/2CD Centrifugal Pump

### PUMP

- . AISI 304 pump body
- . AISI 304 shaft
- . Max. Liquid temperature: +60°C

## Overall Dimension

### MOTOR

- . Motor with copper winding
- . Shaft: Stainless steel welded shaft
- . Insulation class: B or F
- . Protection class: IP\*4
- . Max. temperature: +40°C
- . Cooling: External ventilation

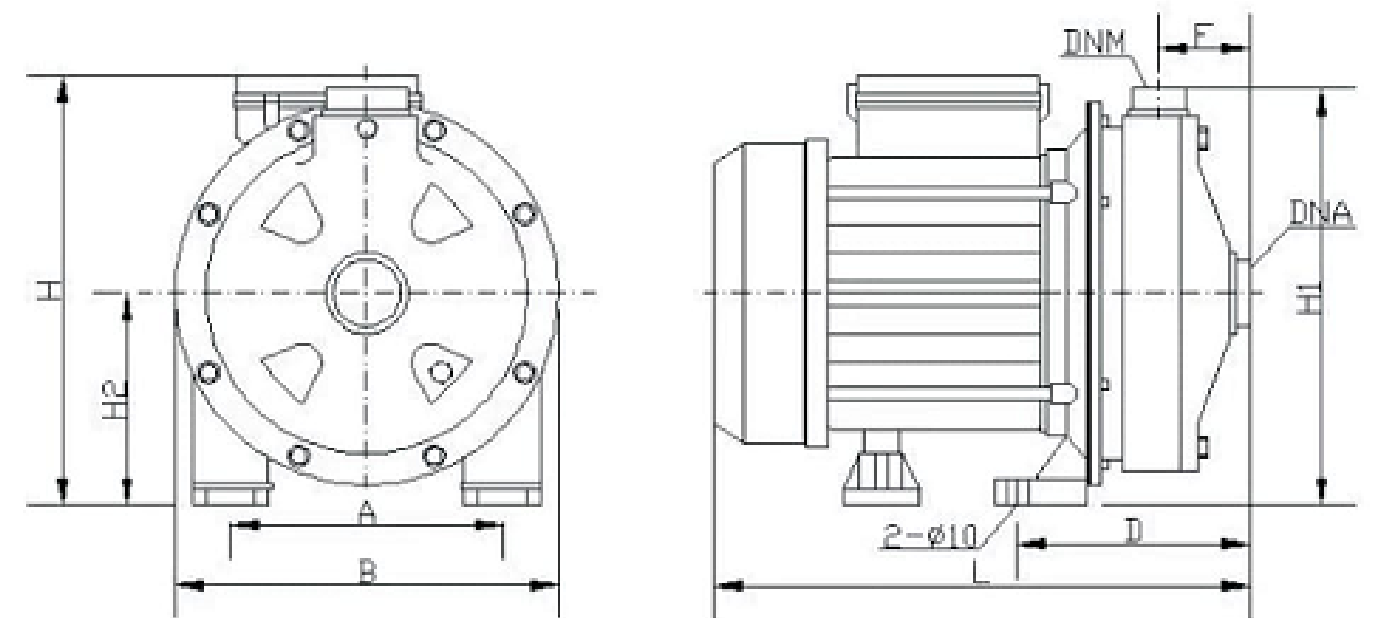
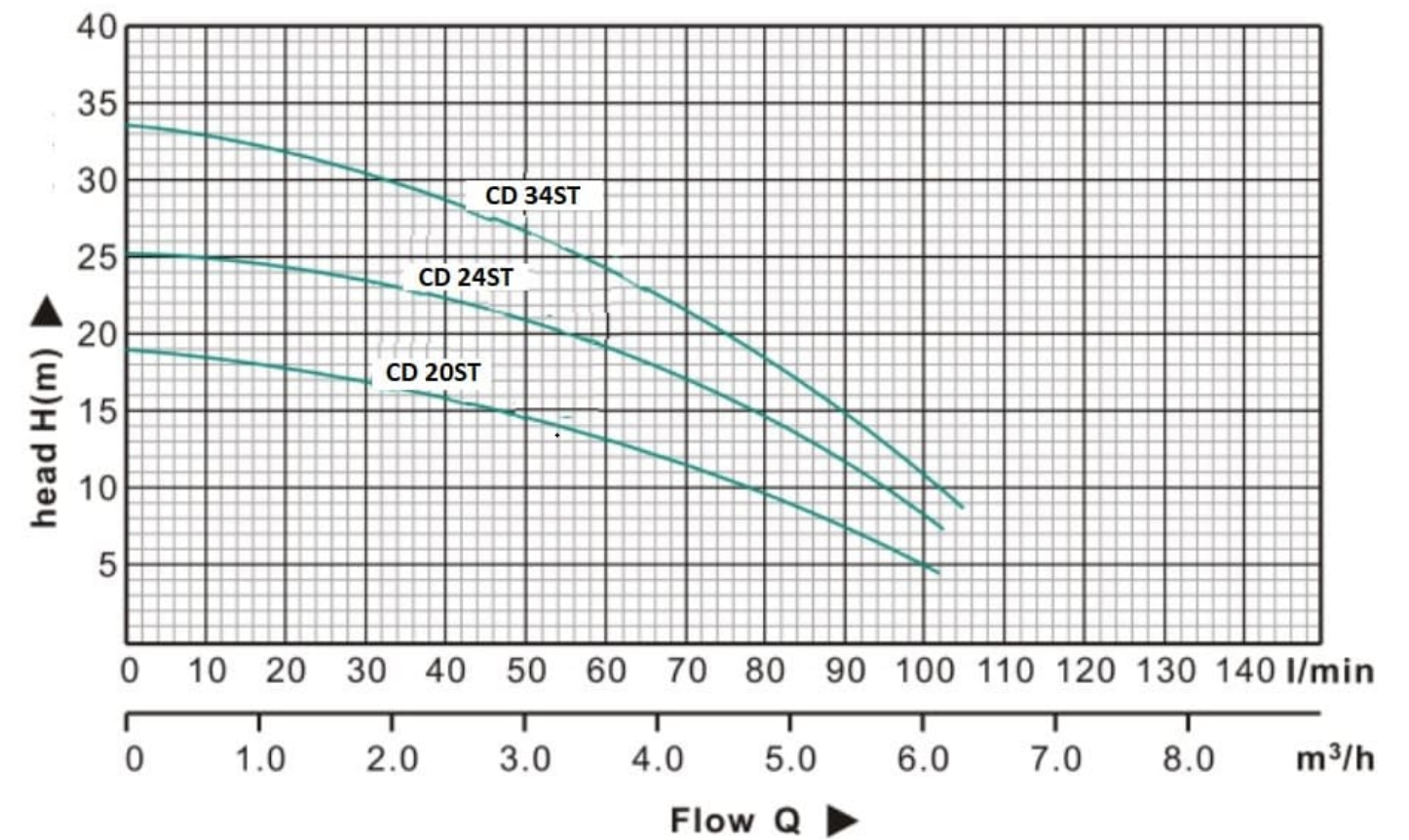
### FEATURES

- . Axial suction and radial discharge
- . Compact structure & coaxial installation. The pump is directly connected with the motor.
- . Convenient installation with threaded inlet and outlet.
- . Corrosion resistance, AISI 304 stainless steel.

### PUMP INSTALLATION AND APPLICATION

It is applicable to household water supply, equipment support, pipeline pressurization, garden watering, vegetable greenhouse watering, fish farming and poultry raising, industrial and mining, water supply and drainage of enterprises and high-rise buildings, central air conditioner and centralized heating circulation system, etc.

MODEL	POWER		MAX.FLOW (l/min)	MAX.HEAD (m)	MAX.SUCT (m)	INLET/OUTLET (in)	GW (kg)	PACKING DIMENSION (MM)
	kW	HP						
CD-18ST	0.37	0.5	120	16	8	1 1/4"X 1"	7.5	180X195X240
CD-20ST	0.55	0.75	120	19	8	1 1/4"X 1"	8	230X215X250
CD-24ST	0.75	1.0	120	25	8	1 1/4"X 1"	9	230X215X250
CD-28ST	0.9	1.2	120	29	8	1 1/4"X 1"	9.5	380X255X280
CD-34ST	1.1	1.5	120	33	8	1 1/4"X 1"	9.5	380X255X280
2CD-20STB	0.75	1.0	180	19	8	1 1/4"X 1"	9	230X215X250
2CD-24STB	1.1	1.5	180	26	8	1 1/4"X 1"	9.5	380X255X280
2CD-28STB	1.5	2.0	180	31	8	1 1/4"X 1"	11	380X255X280
2CD-34STB	1.85	2.5	180	37	8	1 1/4"X 1"	12	415X250X280



Model	Shape size (mm)							
	A	B	D	F	L	H	H1	H2
CD-20ST	150	230	140	45	373	234	240	120
CD-26ST	150	230	140	45	373	234	240	120
CD-34ST	150	230	140	45	373	234	240	120