



QEEHUA[®]

CHEMICAL PUMP & FILTER
WITH ACID-ALKALI RESISTANCE
EXPERT IN R&D AND MANUFACTURING

BTS
ENGINEERING

<https://prom-nasos.pro>

<https://bts.net.ua>

<https://prom-nasos.com.ua>

+38 095 656-37-57

+38 067 360-71-01

+38 063 362-12-31

info@prom-nasos.pro

Magnetic Pump

Model: MD



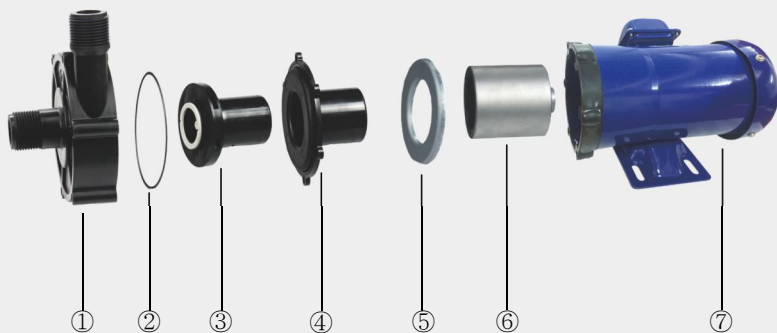
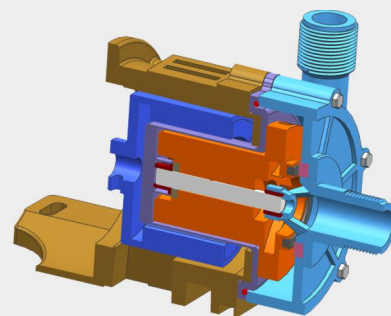
Magnetic pump 【MD series】

Product characteristic

1. Magnetic drive, adopts the non-shaft-seal design, complete leakage proof;
2. Equipped with anti-idling device;
3. It is suitable for the circulation transportation of various chemical solution;
4. The applicable temperature shall be determined according to different chemical properties: GFRPP - below 80 °C, CFRPP - below 80 °C, PVDF - below 100 °C, CFRETFE - below 150 °C.

Product superiority

1. A variety of connection modes of front cover inlet and outlet are available;
2. Special sealing O-ring brings excellent sealing effect;
3. Impeller deflection is lower than 0.2mm;
4. Passive magnets and plastic shells are injection molded at one time to ensure that there is no penetration forever.
5. The shaft core is made of 99% alumina and SSIC material;
6. The connection between the motor and the pump head is a plastic injection molding integrated structure, which can prevent the corrosion of the connection caused by the leakage of acid and alkali gas and liquid;
7. The surface of drive magnet adopts resin paint baking, with better corrosion resistance. After dynamic balance test, the vibration of drive magnet is lower than 2.0mm/s;
8. The motor adopts international brand, with stable performance and ultra-quiet operation.



- ① Front cover
- ② Seal O-ring of front and rear cover
- ③ Impeller assembly
- ④ Rear cover
- ⑤ Rear cover back plate
- ⑥ Drive magnet
- ⑦ Motor

Decomposition diagram of integrated machine



Decomposition diagram of split machine

- ① Front cover
- ② Seal O-ring of front and rear cover
- ③ Impeller assembly
- ④ Rear cover
- ⑤ Connecting bracket
- ⑥ Drive magnet
- ⑦ Motor

Model description

MD- F-25-8-S-A-V-5-V38

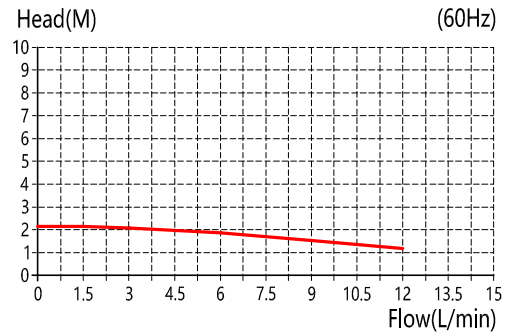
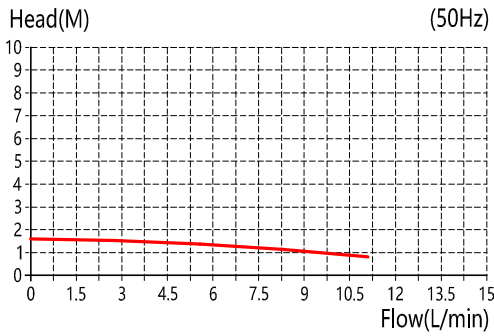
- ① ② ③ ④ ⑤ ⑥ ⑦ ⑧ ⑨

- ① Model No.: MD
- ② Pump material: F-GFRPP C-CFRPP P-PVDF E-CFRETFE
- ③ Inlet and outlet diameter: 20-3/4" 25-1"
- ④ Horsepower: 0-6W; 1-10W; 2-20W; 3-45W; 4-65W; 5-90W; 7-180W;8-260W
- ⑤ Connection: S- screw; H- hose
- ⑥ Pump shaft material: A- ceramic; S- SSIC
- ⑦ O-Ring: E-EPDM; V-VITON(FKM)
- ⑧ Frequency: 5-50Hz; 6-60Hz
- ⑨ Voltage: V11-10/110V; V22-10/220V; V38-30/220V/380V;V41-30/280V/415V

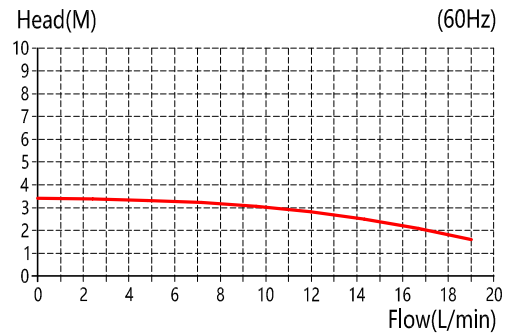
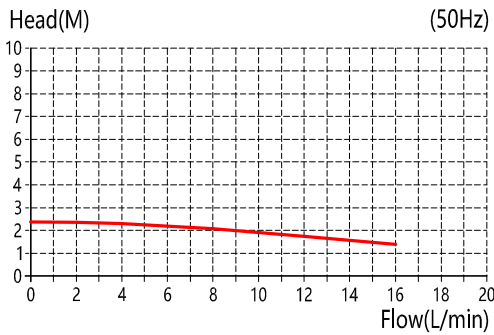
Product specification

Model	Hose		Screw		Max.Capacity (L/min)		Max.Head (m)		Specific gravity	Motor		Weight (kg)
	Inlet (mm)	Outlet (mm)	Inlet	Outlet	50Hz	60Hz	50Hz	60Hz		Power (W)	Voltage (V)	
MD-200	14	14	/	/	11	12	1.5	2.1	< 1.2	6	220	0.87
MD-201	16	16	G ³ / ₄	G ³ / ₄	16	19	2.4	3.4	< 1.2	10	220	1.53
MD-202	18	18	G ³ / ₄	G ³ / ₄	27	31	3.1	4.3	< 1.2	20	220	2.1
MD-203	20	20	G ³ / ₄	G ³ / ₄	32	38	3.8	5.4	< 1.2	45	220	3.4
MD-204	20	20	G ³ / ₄	G ³ / ₄	45	52	4.6	6.5	< 1.2	65	220	4.3
MD-255	26	26	G1	G1	53	55	5.3	7.6	< 1.3	120	220/380	5.6
MD-257	26	26	G1	G1	55	62	7	9.3	< 1.3	180	220/380	5.5
MD-258	26	26	G1	G1	77	79	10	10.8	< 1.3	260	220/380	6.8

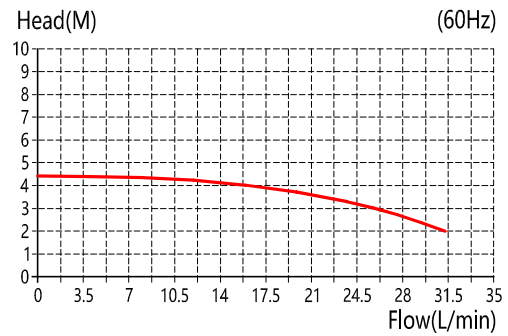
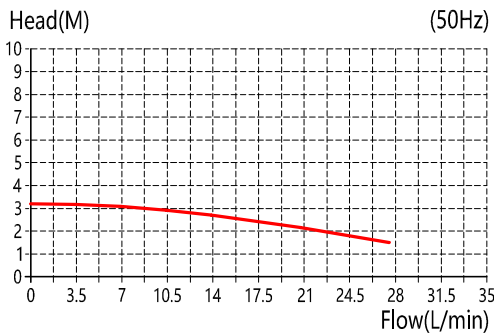
MD-200 Performance curve



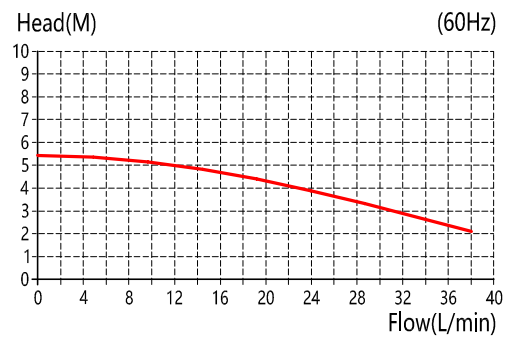
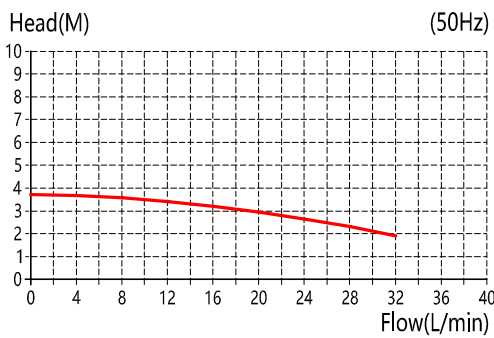
MD-201 Performance curve



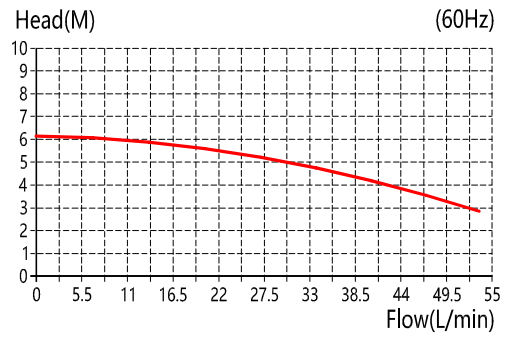
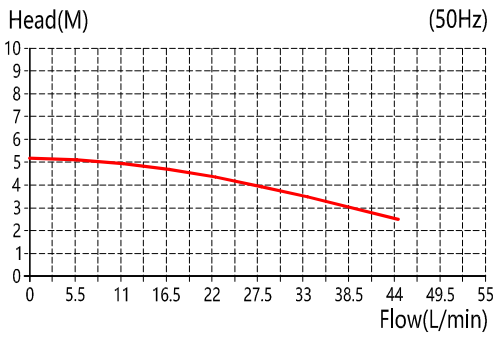
MD-202 Performance curve



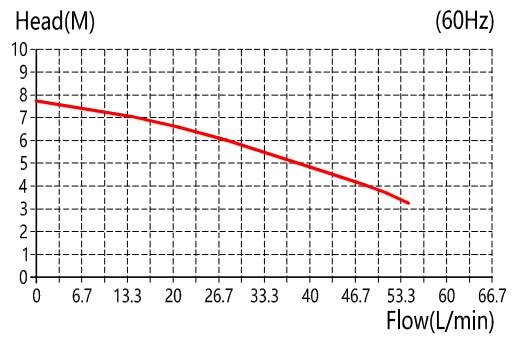
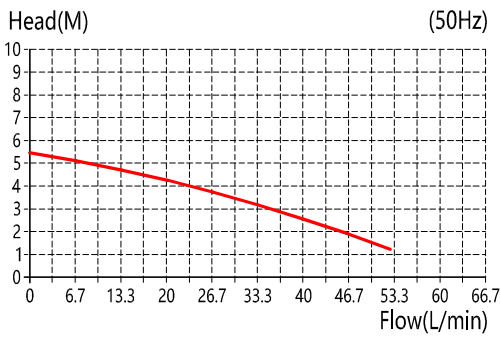
MD-203 Performance curve



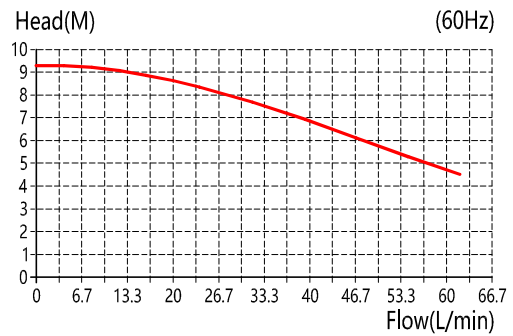
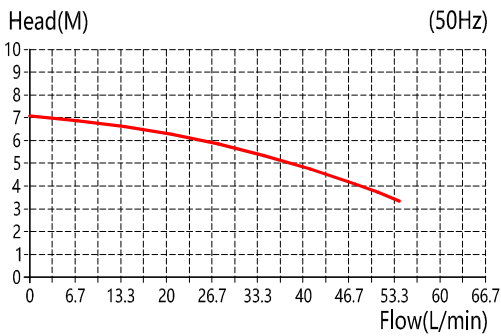
MD-204 Performance curve



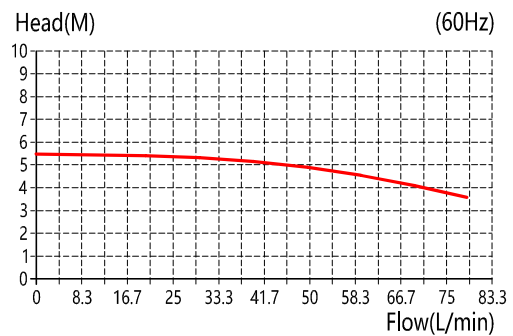
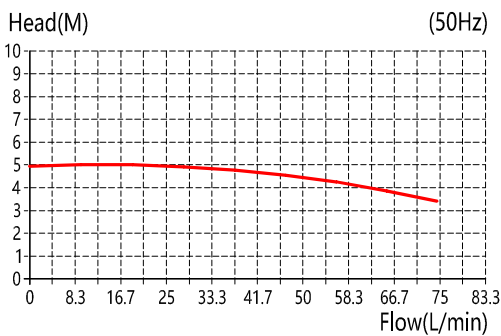
MD-255 Performance curve



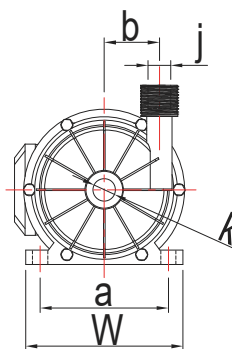
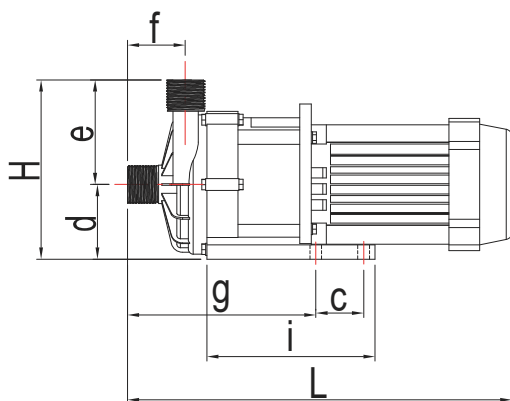
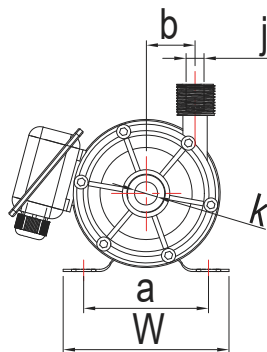
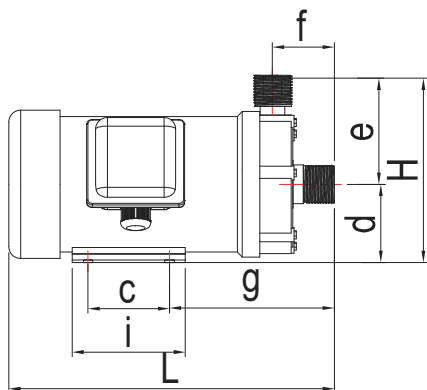
MD-257 Performance curve



MD-258 Performance curve



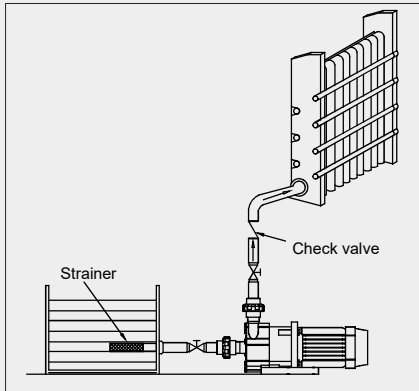
Size specification



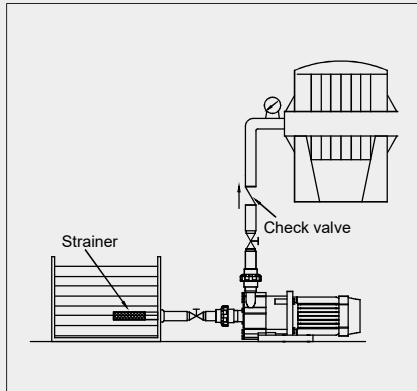
Model	L	H	W	a	b	c	d	e	f	i	g	j	K
MD-200	130	85	75	64	17	/	36	49	30	30	/	Ø10	Ø10
MD-201	193	96	85	71	25	49	45	51	37	64	101	Ø9.5	Ø13
MD-202	211	116	85	68	28	30	54	62	38	50	115	Ø12	Ø14
MD-203	238	132	121	101	30	40	58	74	45	64	142	Ø14.0	Ø15.5
MD-204	238	132	121	101	30	40	58	74	45	64	142	Ø14.0	Ø15.5
MD-255	270	153	142	108	43	70	63	90	50	96	138	Ø16.0	Ø20.0
MD-257	270	153	142	108	43	70	63	90	50	96	138	Ø16.0	Ø20.0
MD-258	328	168	155	110	45	70	65	103	62	100	157	Ø19.5	Ø21.0
MD-257(split machine)	337	156	135	108	45	40	66	90	50	147	154	Ø16.0	Ø20.0
MD-258(split machine)	375	170	150	105	53	70	70	100	63	155	157	Ø19.5	Ø21.0

Installation diagram

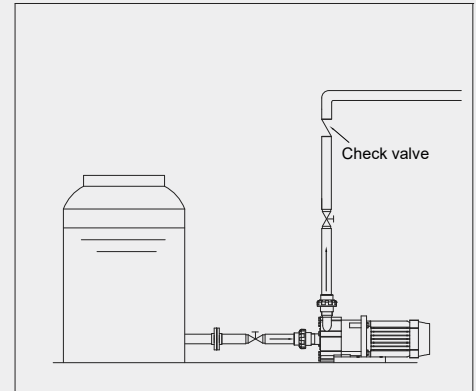
Used in heat exchanger



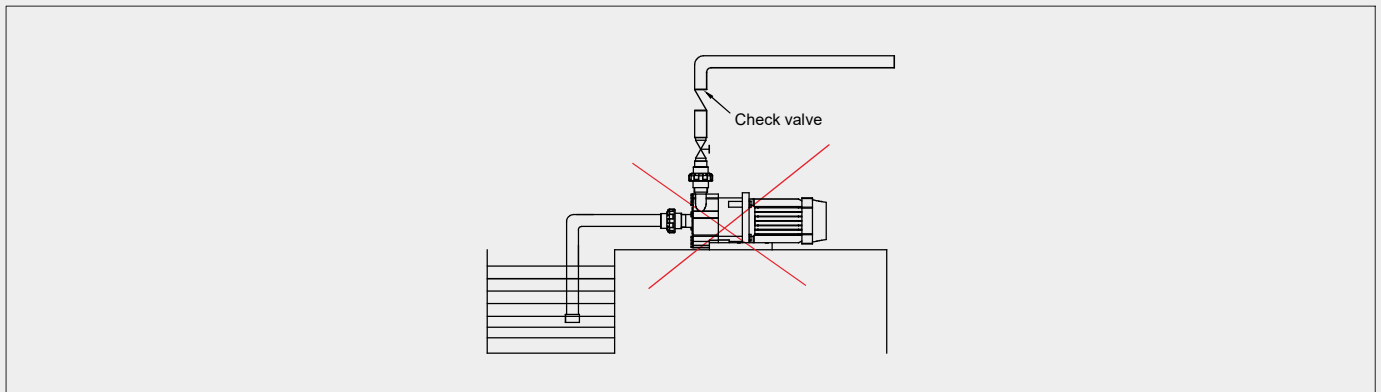
Used in reaction tank or filter compressor



Installed outside the barrel



Warning: incorrect use



Precautions for safe operation

1. Safety warning

- ① Running without cutting off the power will cause electric shock!
- ② Do not start the pump without connecting the ground wire and leakage protector!
- ③ Electrician operation should be carried out by professional personnel!
- ④ When operating the pump, please wear protective equipment to prevent serious injury caused by chemical solution!
- ⑤ Operations related to toxic liquids may cause poisoning!
- ⑥ Use the pump in strict accordance with the instructions and scope of use!
- ⑦ During operation, the surface temperature of motor and pump is very high, do not touch directly!
- ⑧ It is forbidden to transform the pump without permission, otherwise serious accidents will be caused. If the pump is modified without permission or in accordance with the operating instructions, the company will not bear any loss caused by the user!
- ⑨ There is a strong magnet in the magnetic drive pump. Its strong magnetic field will cause obvious damage to the person wearing the electronic device (i.e. electronic pacemaker, etc.)!

2. Important note!

- ① No idling of the pump. The idling of the pump can make the parts inside the pump heat up by friction, which will damage the pump. Pump operation with suction valve fully closed is also considered as idling.
- ② In the process of operation, when dangerous signals and abnormal conditions are found, the operation shall be terminated immediately, and it shall be started after the exception is eliminated.
- ③ The operation and use of the pump must be carried out by qualified operators.
- ④ The pump is only allowed to be used under the specified voltage, otherwise the pump will be damaged or fire will be caused.
- ⑤ The use place of the pump shall be equipped with protective measures to prevent liquid splashing or leakage.
- ⑥ Operations related to toxic liquids may cause poisoning, so it is necessary to ensure adequate ventilation at the operation site.
- ⑦ Do not scrape, damage, squeeze or stretch the cable with force. The use of damaged cables is likely to cause fire or electric shock.
- ⑧ The covered pump is easy to cause fire or mechanical failure due to internal heat accumulation during operation.
- ⑨ When a pump is under maintenance, pay attention to avoid other operators turning on the power supply switch due to mistakes. It is better to place a warning sign beside the power supply switch to inform that the pump is under maintenance.
- ⑩ The liquid from the pump may be highly toxic and harmful chemicals, which must be drained to a special container for storage.



1. High cost performance:

Independent production, stable quality and controllable cost.

2. Excellent product performance:

Corrosion resistance, idling resistance, no leakage, low noise, high efficiency, surface corrosion resistance, durable.

3. Advanced product technology:

Cooperate with colleges and universities to carry out production, learning and research activities, master cutting-edge technology, and constantly make breakthroughs in the direction of low energy consumption and high efficiency. At present, the unique technology includes: 4P motor magnetic pump addresses the problem of rapid temperature rise of liquid medicine, and intelligent monitoring addresses the problem of idling.

4. Continuous upgrading of materials:

Imported CFRETFE material is resistant to strong acid, strong alkali and high temperature.

5. Rich product categories:

It can be upgraded to replace all kinds of old equipment.

6. Strong qualification:

Patented technology, CE, SGS quality certification of European Union, government designated supplier